

## REAR WHEELS

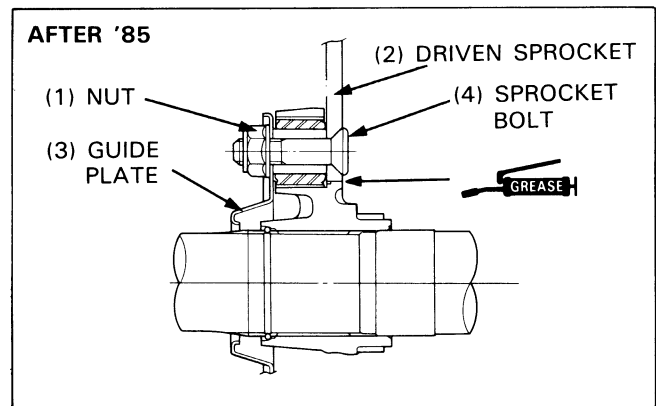
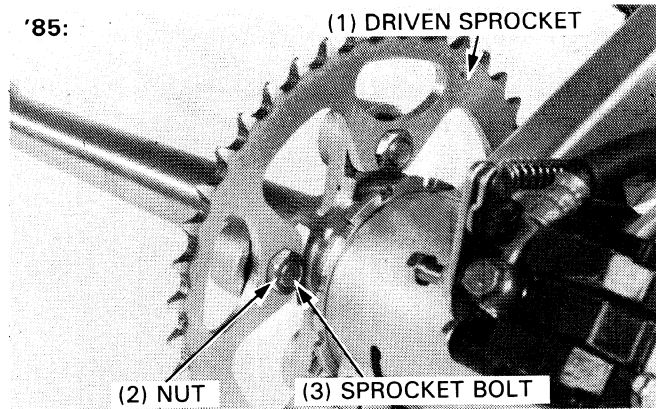
Install the driven sprocket onto the hub with its stamped number of teeth mark facing out. Tighten the sprocket bolts.

**TORQUE: 55–65 N·m (5.5–6.5 kg-m, 40–48 ft-lb)**

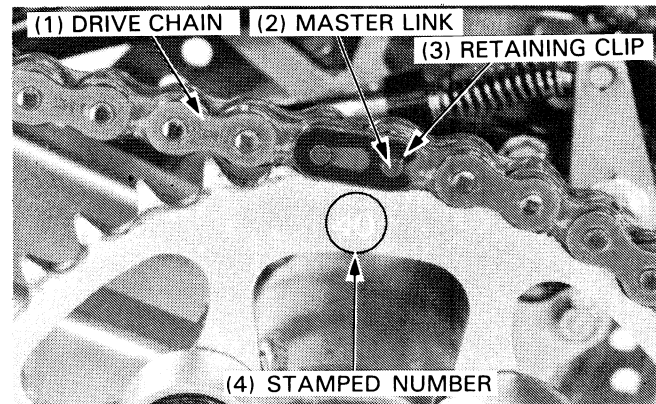
### After '85:

Apply grease to the step of the hub. Install the guide plate and driven sprocket onto the hub with the stamped teeth number facing out. Tighten the sprocket nuts.

**TORQUE: 55–65 N·m (5.5–6.5 kg-m, 40–48 ft-lb)**



Install the drive chain with the master link and retaining clip. Face the closed end of the retaining clip in the rotating direction of the chain.



Apply grease to the splines on both ends of the axle.

Install the wheel hubs, wheel hub collars, and axle nuts. Tighten the axle nuts.

**TORQUE: 120–170 N·m (12.0–17.0 kg-m, 87–123 ft-lb)**

Install new cotter pins and spread the ends as shown.

Install the rear wheels (page 12-3).

Adjust drive chain slack (page 3-9).

