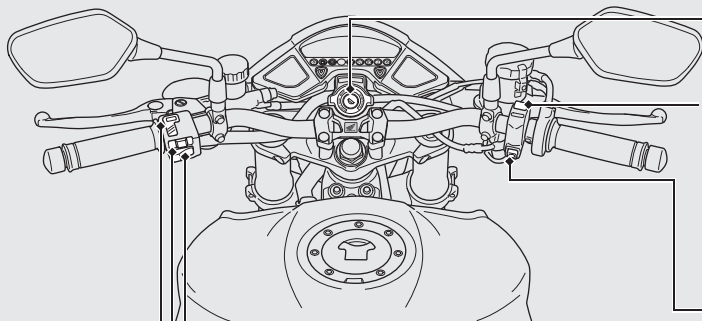




Switches



Engine stop switch

Should normally remain in the Run  position.

▶ In an emergency, switch to the Off  position to stop the engine.

Start button



Headlight turns off when operating the starter motor.

Horn button

Turn signal switch

▶ Pressing the switch turns the turn signal off.

Headlight dimmer switch

-  High beam
-  Low beam