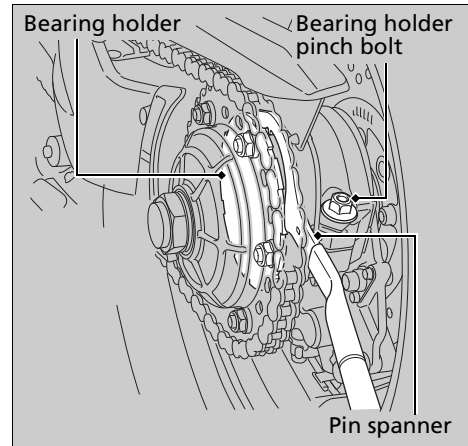


Adjusting the Drive Chain Slack

Adjusting the chain requires special tools. Have the drive chain slack adjusted by your dealer.

1. Shift the transmission to Neutral. Stop the engine.
2. Place your motorcycle on the side stand on a level surface.
3. Support your motorcycle securely and raise the rear wheel off the ground using a maintenance stand or a hoist.
4. Loosen the bearing holder pinch bolt.
5. Turn the bearing holder clockwise or counterclockwise to obtain the proper chain slack with the pin spanner.
6. Check the drive chain slack. ► P. 72
7. Tighten the bearing holder pinch bolt to the specified torque.

Torque: 65 lbf·ft (88 N·m, 9.0 kgf·m).



8. Recheck the drive chain slack. If a torque wrench is not used for this installation, see your dealer as soon as possible to verify proper assembly. Improper assembly may lead to loss of braking capacity.