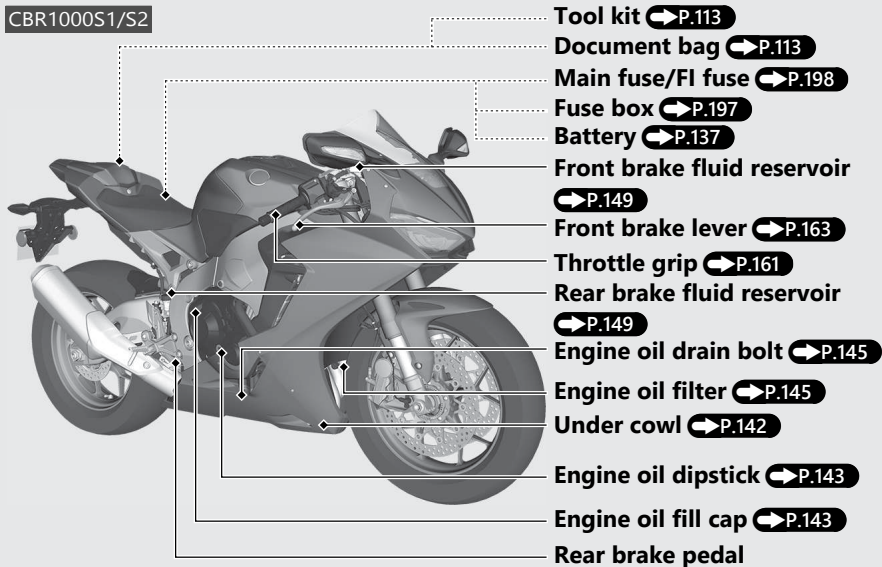


Parts Location *(Continued)*

CBR1000S1/S2



Tool kit ➔ P.113

Document bag ➔ P.113

Main fuse/FI fuse ➔ P.198

Fuse box ➔ P.197

Battery ➔ P.137

Front brake fluid reservoir
➔ P.149

Front brake lever ➔ P.163

Throttle grip ➔ P.161

Rear brake fluid reservoir
➔ P.149

Engine oil drain bolt ➔ P.145

Engine oil filter ➔ P.145

Under cowl ➔ P.142

Engine oil dipstick ➔ P.143

Engine oil fill cap ➔ P.143

Rear brake pedal