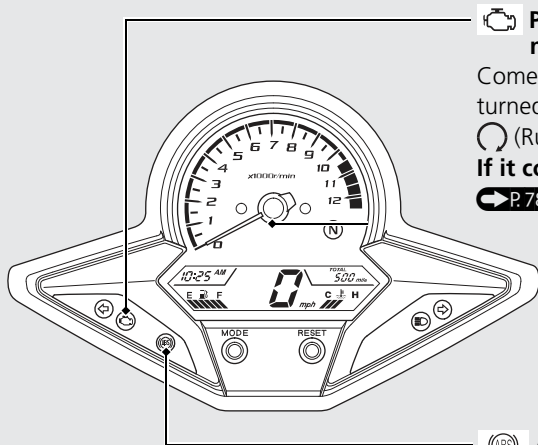



# Indicators



## **PGM-FI (Programmed Fuel Injection) malfunction indicator lamp (MIL)**


Comes on briefly when the ignition switch is turned on with the engine stop switch in the  (Run) position.

**If it comes on while engine is running:**

 **P.78**

## **ABS (ant-lock Brake System) indicator (CBR250RA only)**

Comes on when the ignition switch is turned on. Goes off when your speed reaches approximately 6 mph (10 km/h).

**If it comes on while riding:**  **P.78**