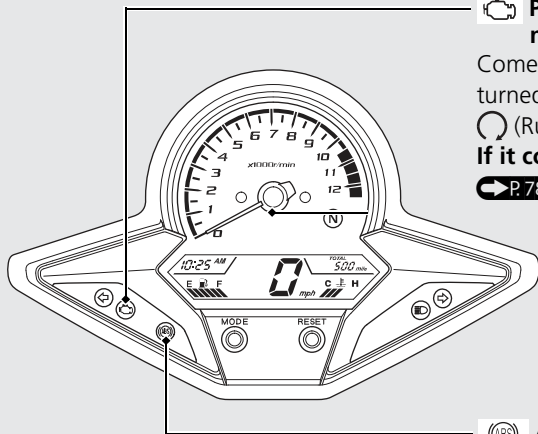


Indicators



PGM-FI (Programmed Fuel Injection) malfunction indicator lamp (MIL)

Comes on briefly when the ignition switch is turned on with the engine stop switch in the (Run) position.

If it comes on while engine is running:

➡ P.78



ABS (Anti-lock Brake System) indicator (CBR250RA only)

Comes on when the ignition switch is turned on. Goes off when your speed reaches approximately 6 mph (10 km/h).

If it comes on while riding: ➡ P.78