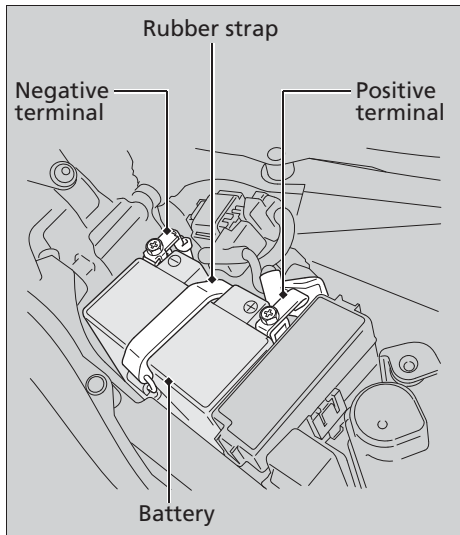


Battery



Removal

Make sure the ignition switch is off.

1. Remove the front seat. 2 P. 51
2. Unhook the rubber strap.
3. Disconnect the negative - terminal from the battery.
4. Disconnect the positive + terminal from the battery.
5. Remove the battery taking care not to drop the terminal nuts.

Installation

Install the parts in the reverse order of removal. Always connect the positive + terminal first. Make sure that bolts and nuts are tight. Make sure the clock is set to the proper time after the battery is reconnected. 2 P. 21 For proper handling of the battery, see "Maintenance Fundamentals." 2 P. 39 "Battery Goes Dead" 2 P. 93