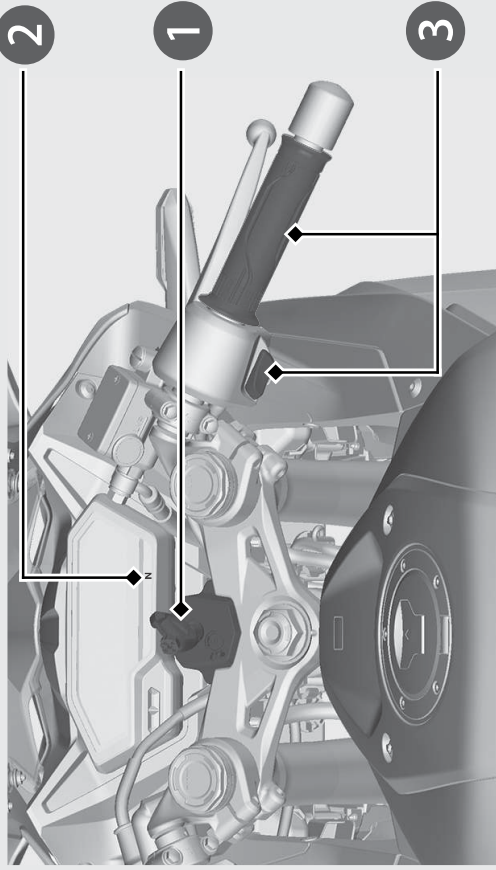


Starting the Engine

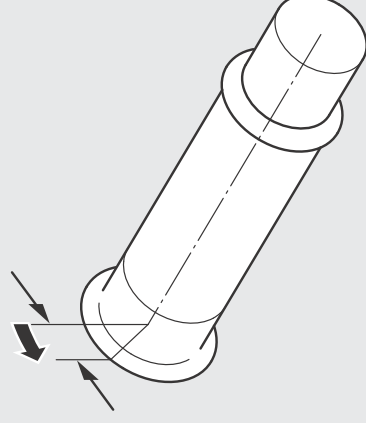
Start your engine using the following procedure, regardless of whether the engine is cold or warm.



- 1 Turn the ignition switch to the **I** (On) position.
- 2 Shift the transmission to Neutral (**N** indicator to come on).
- 3 With the throttle completely closed, press the start button.
Release the start button as soon as the engine starts.

If you cannot start the engine, open the throttle slightly (about 3 mm (0.1 in), without freeplay) and press the start button.

About 3 mm (0.1 in), without freeplay



NOTICE

- If the engine does not start within 5 seconds, turn the ignition switch to the **O** (Off) position and wait 10 seconds before trying to start the engine again to recover battery voltage.
- Extended fast idling and revving the engine can damage the engine and the exhaust system.