

## Adjusting the Front Suspension

### I Spring Preload

You can adjust the spring preload by the adjuster to suit the load or the road surface. Turn the adjuster using the box end wrench provided in the tool kit. ► P. 84

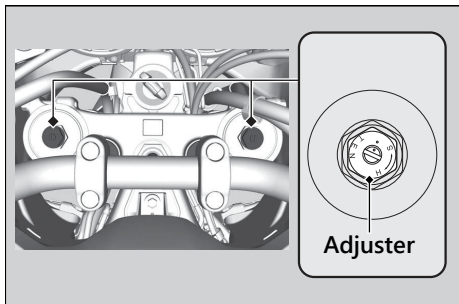
The spring preload adjuster has 15 turns. Turn clockwise to increase spring preload (hard), or turn counterclockwise to decrease spring preload (soft).

#### CRF1000A/A II

The standard position is the 5 from the full soft position.

#### CRF1000D/D II

The standard position is the 8 1/2 from the full soft position.



#### NOTICE

Do not turn the adjuster beyond its limits. Adjust both left and right forks to the same spring preload.