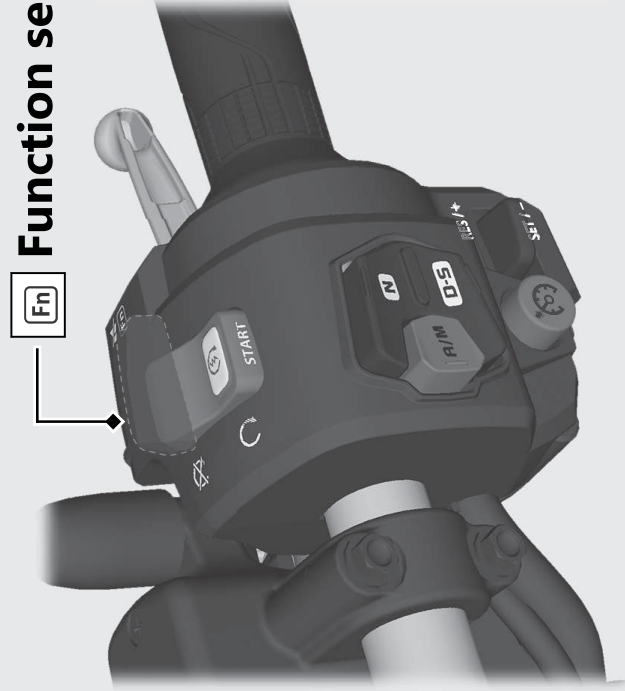


Instruments (Continued)

Basic Operations


You can operate and set the various functions of your vehicle using the switches on the left handlebar and **[Fn]** function sel switch on the right handlebar or touch screen.

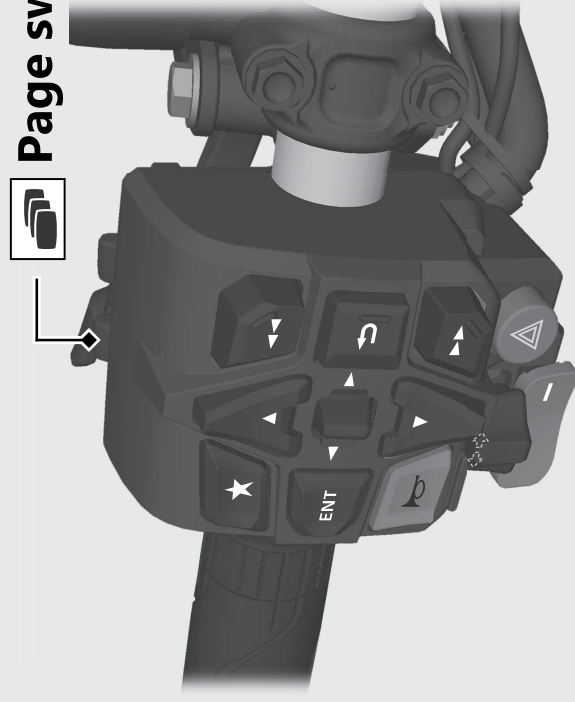
However, you cannot operate some functions while the vehicle is in motion.



Function sel switch

To Return to the Home Screen

Pull backward and hold the  page switch on the left handlebar or touch the clock area of the multi-information display with your vehicle stopped.



Page switch