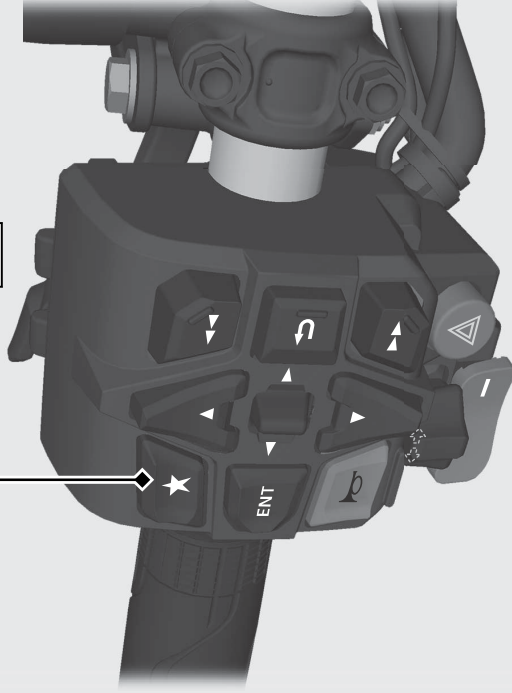







Wheelie Control *(Continued)*

Wheelie Control Level setting

- When using the  favorite switch:
 - 1 Stop the vehicle.
 - 2 Select the [Wheelie Control] of the  favorite switch.  **P.84**
 - 3 Press the  favorite switch.
 - ▶ 3: the maximum wheelie control level [W]
 - ▶ 1: the minimum wheelie control level [W]

Favorite switch



- When using the multi-information display:
 - 1 Stop the vehicle.
 - 2 Select the gold image display.  **P.77**
 - 3 Select page 4.  **P.43**
 - 4 Press the **ENT** switch.
 - 5 Select [W].
 - 6 Push the  or  of the  sel left/right switch to select your preferred level.

