

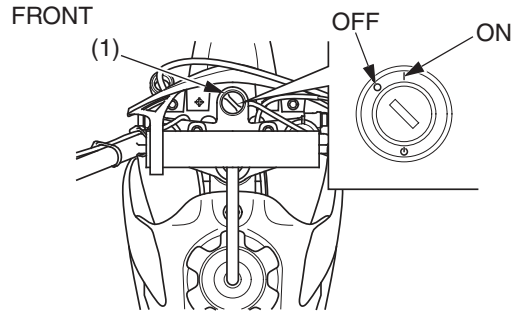
## Ignition Switch

The ignition switch (1) is used to prevent unauthorized use of the motorcycle.

Before riding, insert the key and turn it to the right for the ON position.

Key Position	Function	Key Removal
○ (OFF)	The engine cannot be operated.	The key can be removed.
▮ (ON)	With the engine stop switch at RUN (○) and the transmission in neutral, the engine can be started.	The key cannot be removed.

After parking the motorcycle, remove the key.



(1) ignition switch

