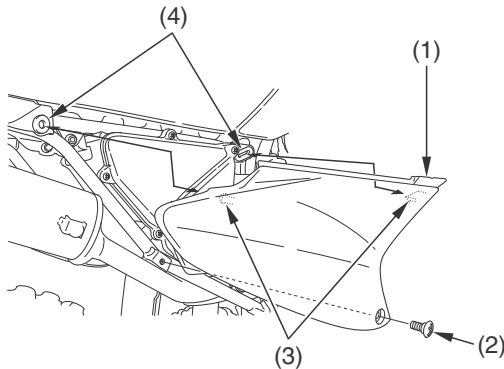


Side Cover Removal

Refer to *Safety Precautions* on [page 43](#).

RIGHT SIDE



(1) right side cover
(2) screw

(3) side cover prongs
(4) rubber grommets

The right side cover (1) must be removed to service the air cleaner.

Right Side Cover Removal

1. Remove the screw (2).
2. Pull both side cover prongs (3) out of the rubber grommets (4).

Right Side Cover Installation

1. Slide the top of the side cover under the bottom edge of the seat.
2. Align the side cover prongs with the rubber grommets. Press the side cover into position.
3. Install the securing screw and tighten it.