

Brakes

Refer to *Safety Precautions* on [page 43](#).

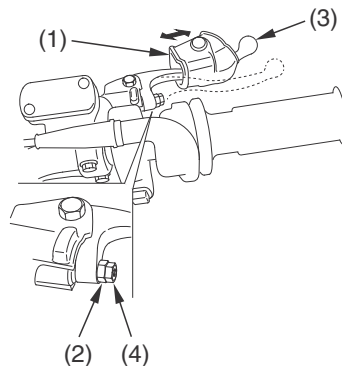
The front brake is the hydraulic disc type. As the brake pads wear, the brake fluid level will drop. A leak in the system will also cause the level to drop.

Frequently inspect the system to ensure there are no fluid leaks. Periodically inspect the brake fluid level and the brake pads for wear.

If the front brake lever freeplay does not feel within the normal range while riding, check the brake pads. If they are not worn beyond the recommended limit ([page 89](#)), there is probably air in the brake system. See your dealer to have the air bled from the system.

Front Brake Lever Adjustment

RIGHT HANDLEBAR



- | | |
|-----------------------|-----------------------|
| (1) rubber dust cover | (3) front brake lever |
| (2) lock nut | (4) adjuster |

Never use adjusters other than those designed for this motorcycle. Install a new adjuster from the lever side with the lock nut under the head of the adjuster.