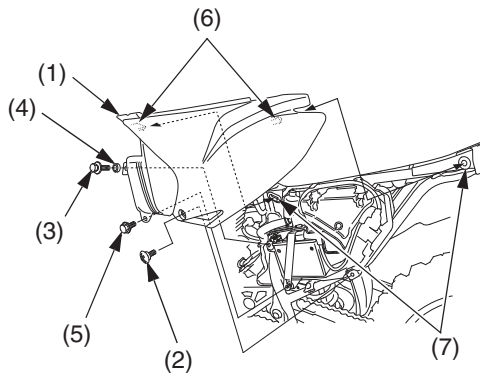


# Side Cover Removal

Refer to *Safety Precautions* on [page 43](#).

LEFT SIDE



- |                     |                       |
|---------------------|-----------------------|
| (1) left side cover | (5) bolt B            |
| (2) screw           | (6) side cover prongs |
| (3) bolt A          | (7) rubber grommets   |
| (4) collar          |                       |

The left side cover (1) must be removed to service the battery and main fuse.

## Left Side Cover Removal

1. Remove the screw (2), bolt A (3), collar (4) and bolt B (5).
2. Pull both side cover prongs (6) out of the rubber grommets (7).

## Left Side Cover Installation

1. Slide the top of the side cover under the bottom edge of the seat.
2. Align the side cover prongs with the rubber grommets. Press the side cover into position.
3. Install the securing screw, bolts and collar and tighten them.