

Exhaust Pipe/Muffler Inspection

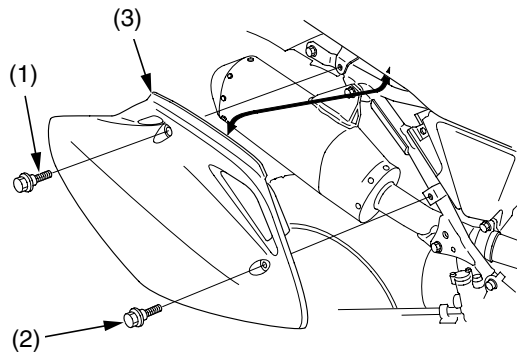
Check the mounting bolts and joint nuts for tightness.

Check the exhaust pipe and muffler for cracks or deformation.

A damaged exhaust pipe and muffler may reduce engine performance.

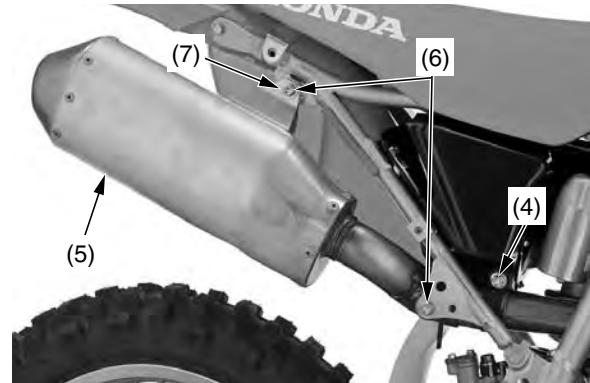
Muffler Removal

1. Remove the seat mounting bolt (1), side cover bolt (2) and right side cover (3).



- (1) seat mounting bolt (3) right side cover
(2) side cover bolt

2. Loosen the muffler clamp bolt (4).
3. Remove the muffler (5) by removing the muffler mounting bolts (6) and washer (7).



- (4) muffler clamp bolt
(5) muffler
(6) muffler mounting bolts
(7) washer