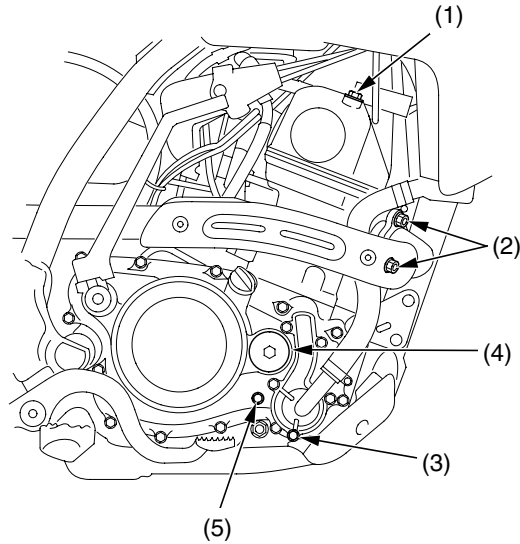


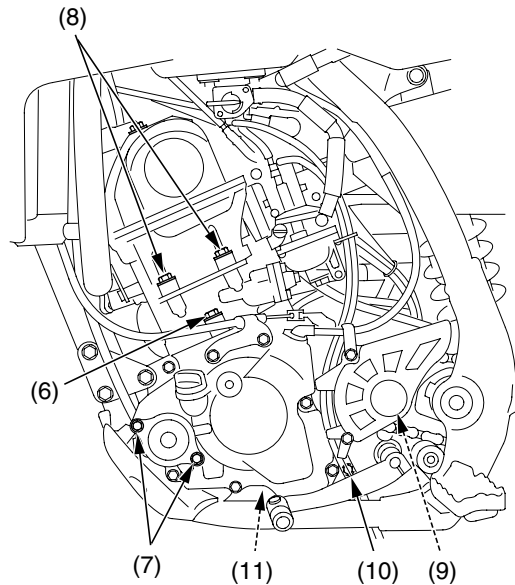
## Nuts, Bolts, Fasteners

Check and tighten nuts, bolts, and fasteners before every outing.

Engine  
RIGHT SIDE



LEFT SIDE



## ENGINE

Item	Torque			Remarks
	lbf·ft	N·m	kgf·m	
1	7	10	1.0	
2	8	11	1.1	
3	7	10	1.0	
4	11	15	1.5	NOTE 5
5	7	10	1.0	
6	7	10	1.0	
7	7	10	1.0	
8	7	10	1.0	
9	10	13	1.3	
10	16	22	2.2	NOTE 3
11	16	22	2.2	NOTE 3

- NOTES:
1. U-nut.
  2. UBS nut.
  3. Apply oil to the threads and seating surface.
  4. A lock bolt.
  5. Apply grease to the threads.
  6. Apply locking agent to the threads.