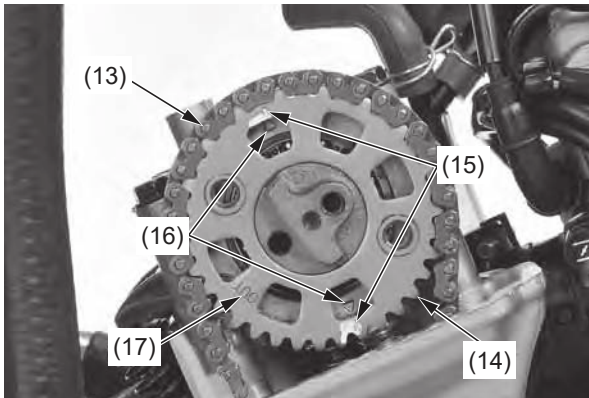


7. Install the cam chain (13) on the cam sprocket (14) while aligning the timing marks (15) on the cam sprocket with the “Δ” marks (16) on the camshaft holder, then install the cam sprocket on the camshaft.

Install the cam sprocket with its “OUT” mark (17) facing out.

NOTICE

Do not let the sprocket and cam chain fall into the crankcase.

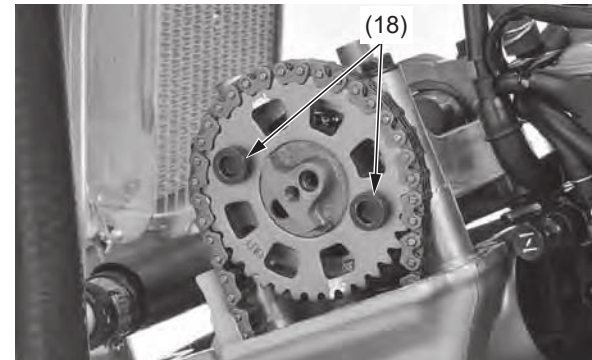


(13) cam chain
 (14) cam sprocket
 (15) timing marks
 (16) “Δ” marks
 (17) “OUT” mark

8. Clean and apply locking agent to the cam sprocket bolt threads.
9. Tighten the cam sprocket bolts (18) alternately to the specified torque:
 15 lbf-ft (20 N·m, 2.0 kgf·m)

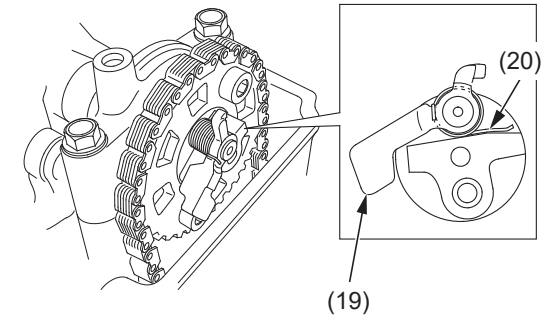
NOTICE

Do not let the bolts fall into the crankcase.



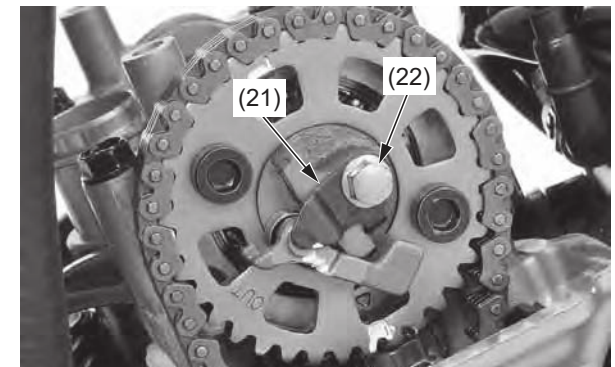
(18) cam sprocket bolts

10. Install the decompressor weight (19) and return spring (20) as illustrated below.



(19) decompressor weight
 (20) return spring

11. Clean and apply locking agent to the bolt threads (coating width: 0.26 ± 0.04 in (6.5 ± 1 mm) from tip).
12. Install the stopper plate (21) and tighten the bolt (22) to the specified torque:
 7 lbf-ft (10 N·m, 1.0 kgf·m)



(21) stopper plate
 (22) bolt

(cont'd)