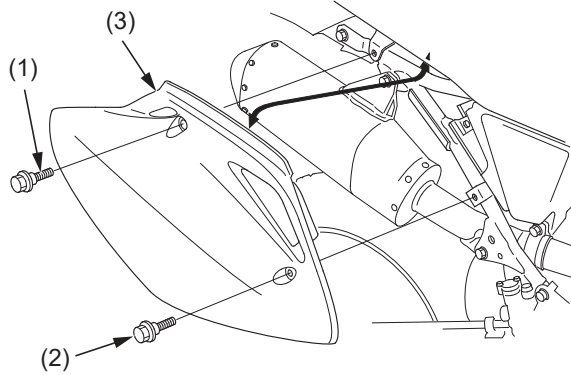


Refer to *Safety Precautions* on page 19.

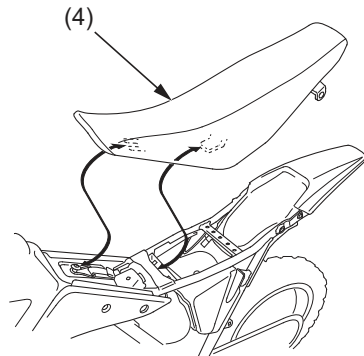
Removal

1. Remove the seat mounting bolts (1), side cover bolts (2) and side covers (3).



- (1) seat mounting bolt
 (2) side cover bolt
 (3) side cover

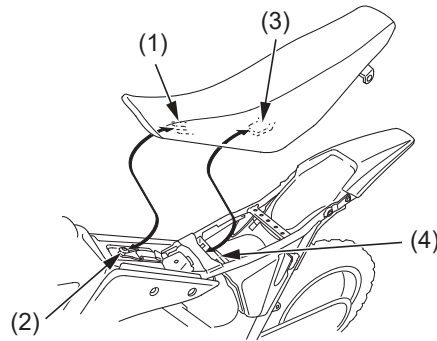
2. Remove the seat (4) by sliding it backward.



- (4) seat

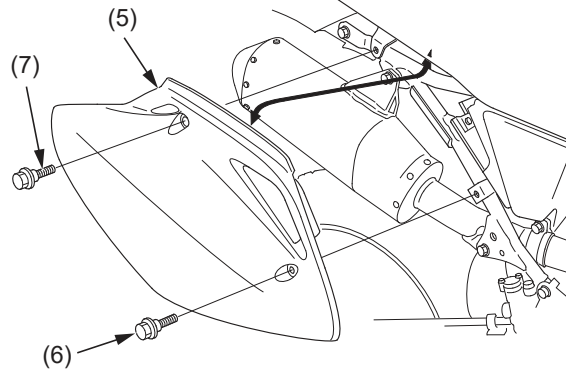
Installation

1. Install the seat while aligning the front prong (1) with the seat bracket (2) and rear prong (3) with the tab (4) of the frame.



- (1) front prong
 (2) seat bracket
 (3) rear prong
 (4) tab

2. Install the side covers (5) and tighten the side cover bolts (6).
3. Install and tighten the seat mounting bolts (7) to the specified torque:
19 lbf·ft (26 N·m, 2.7 kgf·m)



- (5) side cover
 (6) side cover bolt
 (7) seat mounting bolt