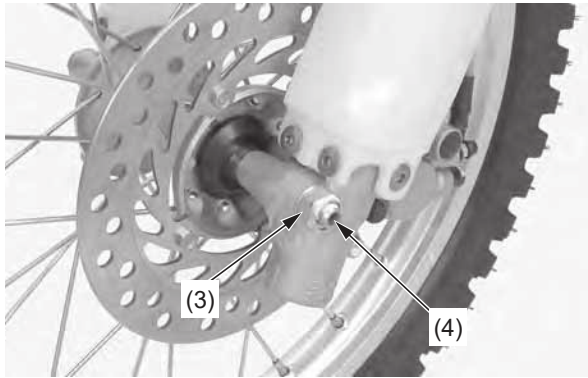


# Front Suspension Adjustments

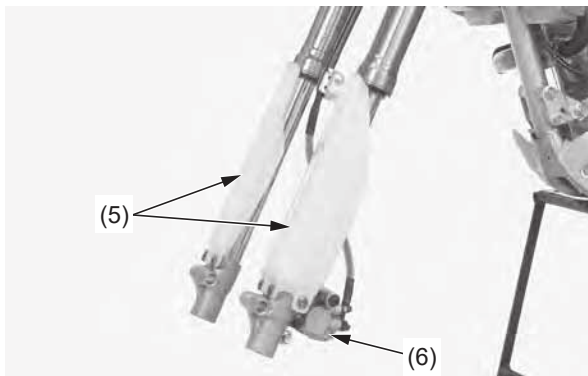
4. Remove the front axle nut (3).
5. Pull the front axle shaft (4) out of the wheel hub and remove the front wheel.



(3) front axle nut (4) front axle shaft

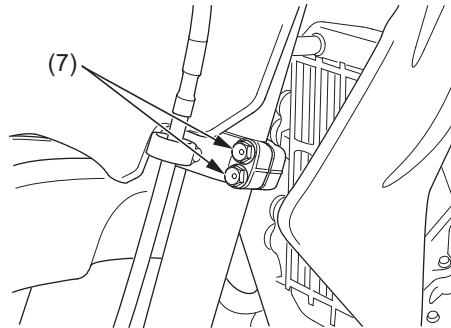
6. Remove the fork protectors (5) and brake caliper (6).

- Do not support the brake caliper by the brake hose.
- Do not operate the brake lever after the front wheel is removed. To do so will cause difficulty in fitting the brake disc between the brake pads.



(5) fork protectors (6) brake caliper

7. Loosen the fork bridge lower pinch bolts (7), then pull the fork legs down and out.

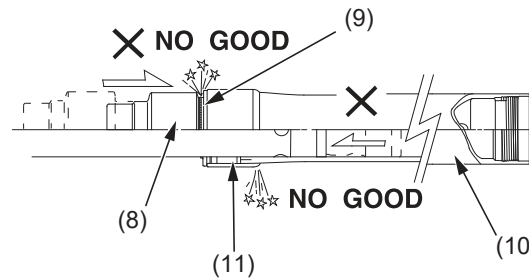


(7) fork bridge lower pinch bolts

8. Clean the fork assembly, especially the sliding surface of the slider pipe (8) and dust seal (9).

## NOTICE

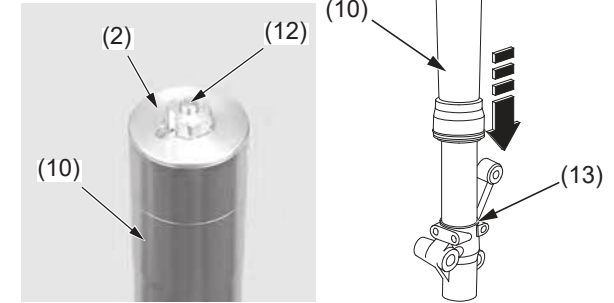
*The fork tube (10) can drop on the slider and damage the fork dust seal and guide bushing (11) when the fork cap is removed. To avoid damage hold both the fork tube and slider pipe when removing the fork cap.*



(8) slider pipe (9) dust seal (10) fork tube (11) guide bushing

9. Record the rebound damping adjuster position and turn the adjuster screw (12) counterclockwise until it stops.

10. Hold the fork tube (10), then remove the fork cap (2), from the fork tube. Gently slide the fork tube down onto the lower end of the slider pipe (13).



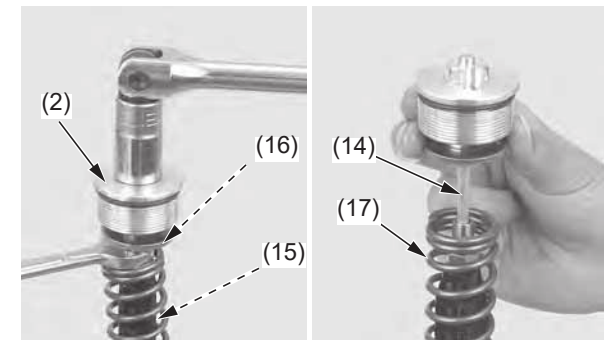
(2) fork cap (10) fork tube

(12) adjuster screw (13) slider pipe, lower end

## NOTICE

*When removing the fork cap, be careful not to damage the damping force adjuster needle rod (14) and the needle on the rod end.*

11. Remove the fork cap (2) from the piston rod (15) by holding the lock nut (16).
12. Remove the fork spring (17).



(2) fork cap (14) adjuster needle rod (15) piston rod

(16) lock nut (17) fork spring

(cont'd)