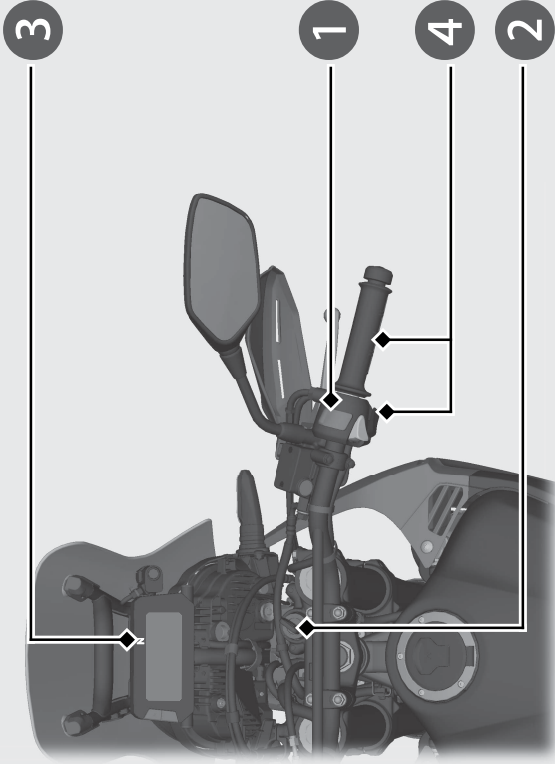


Starting the Engine

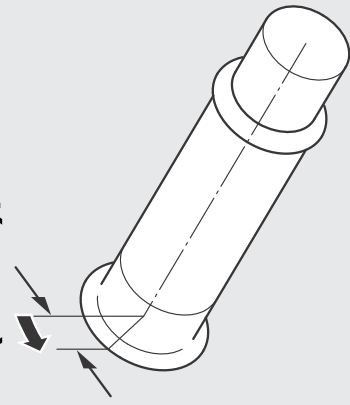
Start your engine using the following procedure, regardless of whether the engine is cold or warm.



- 1 Make sure the engine stop switch is in the **⊙** (Run) position.
- 2 Turn the ignition switch to the **I** (On) position.
- 3 Shift the transmission to Neutral (**N**) indicator to come on). Alternatively, pull in the clutch lever to start your vehicle with the transmission in gear so long as the side stand is raised.
- 4 Press the start button with the throttle completely closed.

▶ If you cannot start the engine, open the throttle slightly (about 3 mm (0.1 in), without freeplay) and press the start button.

About 3 mm (0.1 in), without freeplay



NOTICE

- If the engine does not start within 5 seconds, turn the ignition switch to the **⊙** (Off) position and wait 10 seconds before trying to start the engine again to recover battery voltage.
- Extended fast idling and revving the engine can damage the engine, and the exhaust system.
- The engine will not start if the throttle is fully open.