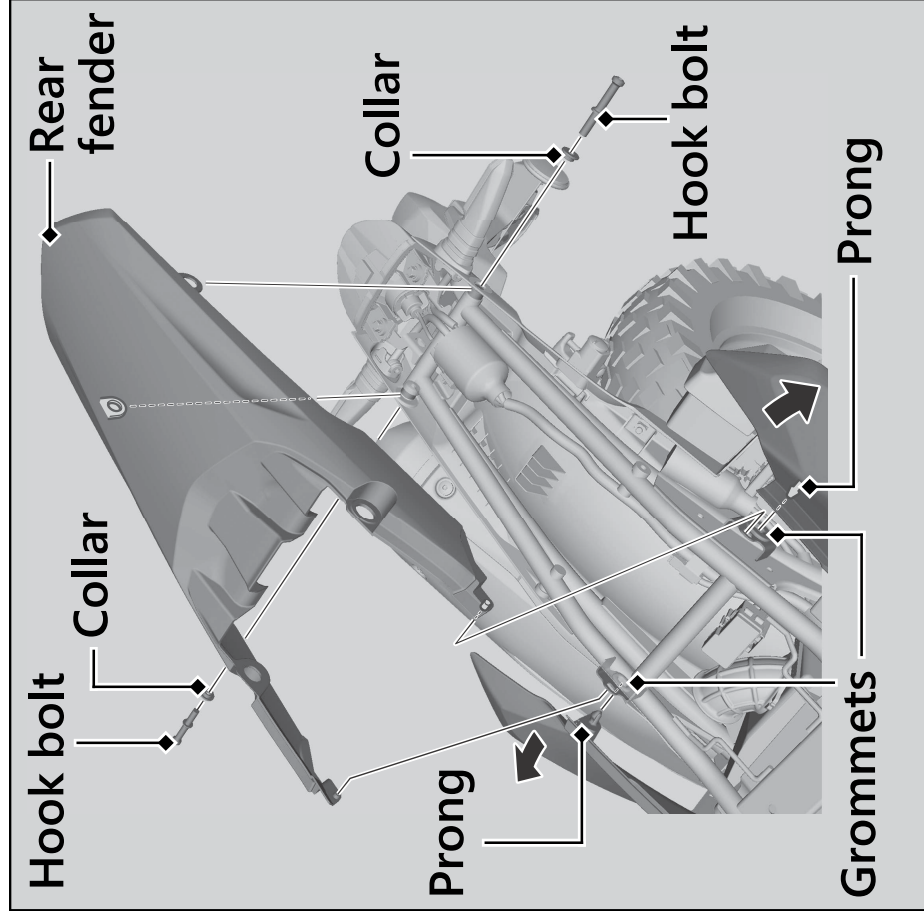


■ Brakelight/Taillight Bulb

1. Remove the seat. **P. 72**
2. Remove the hook bolts and collars.
3. Remove the prongs from the grommets.
4. Remove the rear fender.



5. Turn the socket counterclockwise, and remove it.
6. Slightly press the bulb and turn it counterclockwise.
7. Install a new bulb and parts in the reverse order of removal.
8. Tighten the hook bolts.

Torque: 21 N·m (2.1 kgf·m, 15 lbf·ft)

