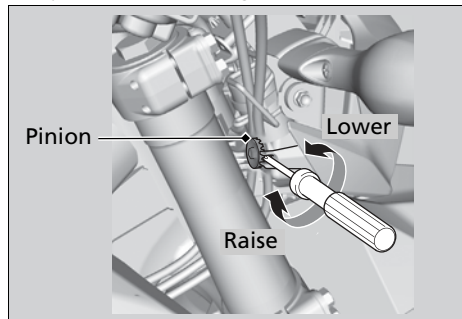


Adjusting the Headlight Aim

You can adjust vertical aim of the headlight for proper alignment. Turn the pinion using a Phillips screwdriver provided in the tool kit (➤ P. 52) in or out as necessary. Obey local laws and regulations.



Adjusting the Brake Light Switch

Check the operation of the brake light switch. Turn the adjusting nut in the direction A if the switch operates too late, or turn the nut in the direction B if the switch operates too soon.

