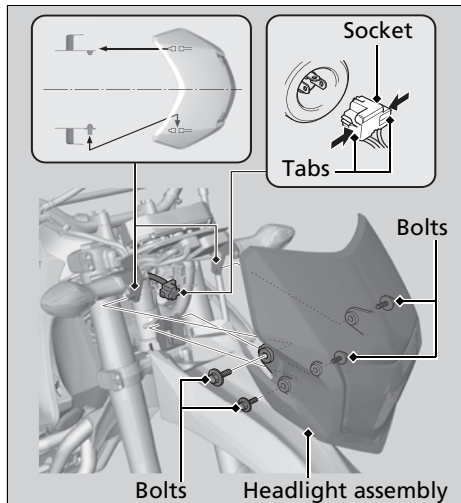


I Headlight Bulb

1. Remove the bolts.
2. Remove the headlight assembly.
3. Pull off the socket while pressing the tabs.



4. Remove the dust cover.
5. Press the pin down and pull out the bulb without turning it.
6. Install a new bulb and parts in the reverse order of removal.
 - Install the dust cover with its tabs positioned vertically.

Do not touch the glass surface with your fingers. If you touch the bulb with your bare hands, clean it with a cloth moistened with alcohol.

