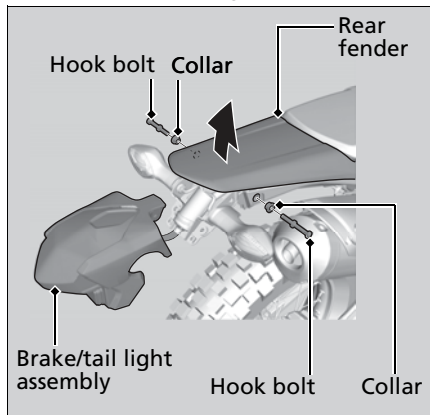


4. Remove the hook bolts and collars.
5. Move the brake/tail light assembly backward while raising the rear fender.



6. Turn the socket counterclockwise, and remove it.
7. Slightly press the bulb and turn it counterclockwise.
8. Install a new bulb and parts in the reverse order of removal.

