

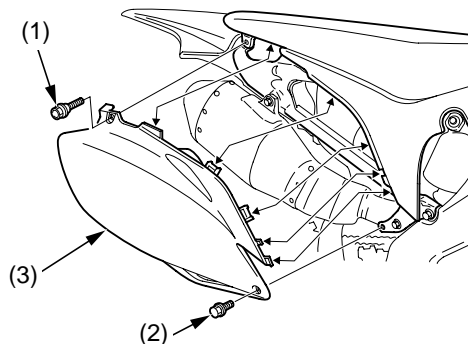
Exhaust Pipe/Muffler

Exhaust Pipe/Muffler Inspection

Check the mounting bolts and exhaust pipe joint nuts for tightness.
Check the exhaust pipe and muffler for cracks or deformation.
A damaged exhaust pipe and muffler may reduce engine performance.

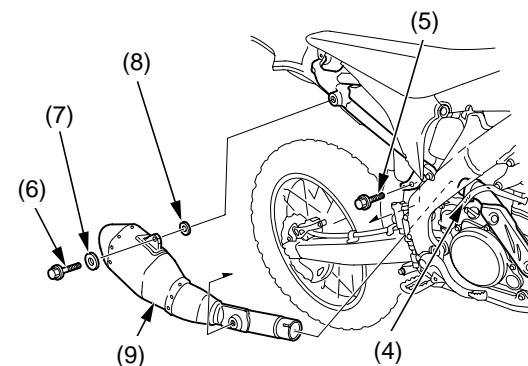
Muffler Removal

1. Remove the seat mounting bolt (1), side cover bolt (2) and right side cover (3).



- (1) seat mounting bolt (3) right side cover
(2) side cover bolt

2. Loosen the muffler clamp bolt (4).
3. Remove the muffler mounting A bolt (5), muffler mounting B bolt (6), washer A (7), washer B (8) and muffler (9).



- (4) muffler clamp bolt (7) washer A
(5) muffler mounting A bolt (8) washer B
(6) muffler mounting B bolt (9) muffler