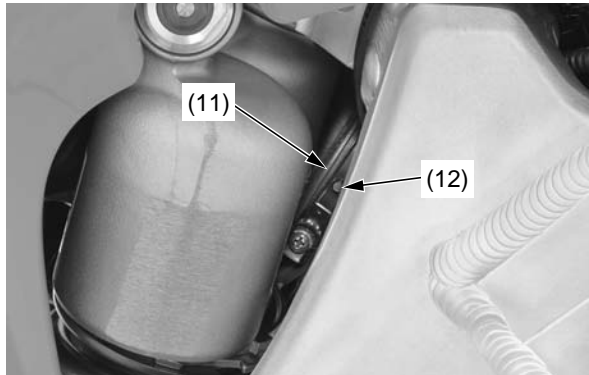


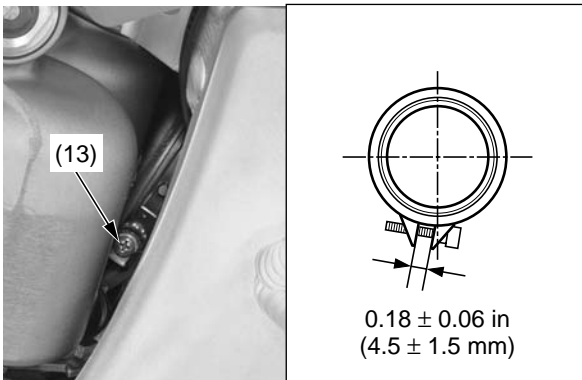
Subframe

7. Make sure the air cleaner connecting tube tab (11) aligns with the air cleaner connecting tube clamp hole (12).



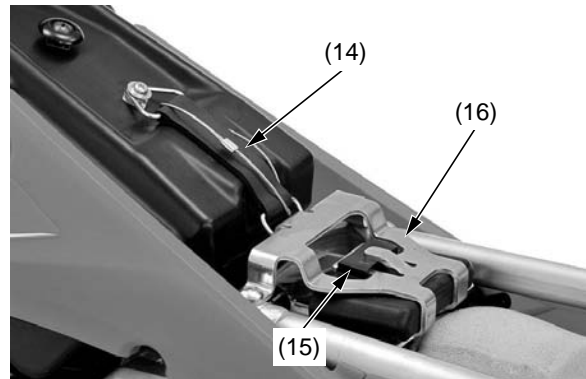
(11) air cleaner connecting tube tab
(12) air cleaner connecting tube clamp hole

8. Tighten the screw (13) on the air cleaner connecting tube clamp.
Check the distance between the band ends is 0.18 ± 0.06 in (4.5 ± 1.5 mm).



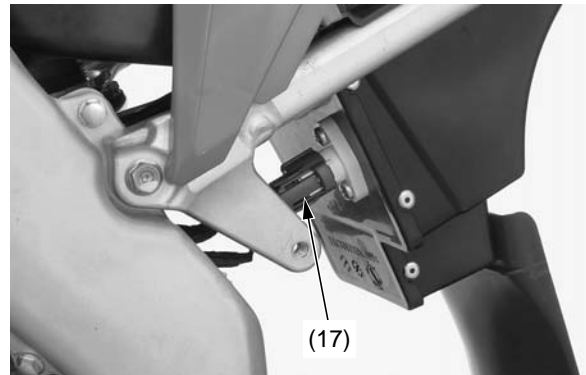
(13) screw

9. Hook the fuel tank band (14).
Install the ECM mounting rubber (15) to the ECM bracket (16).



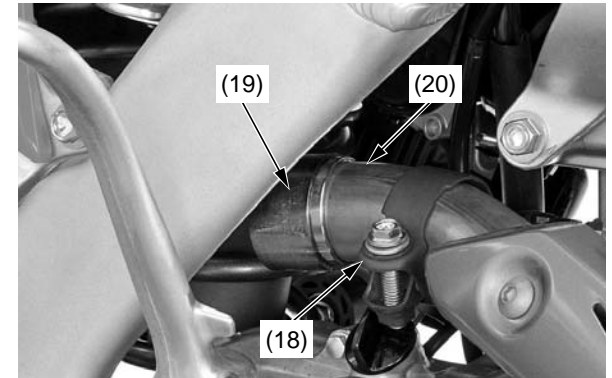
(14) fuel tank band
(15) ECM mounting rubber
(16) ECM bracket

10. Connect the IAT sensor connector (17).



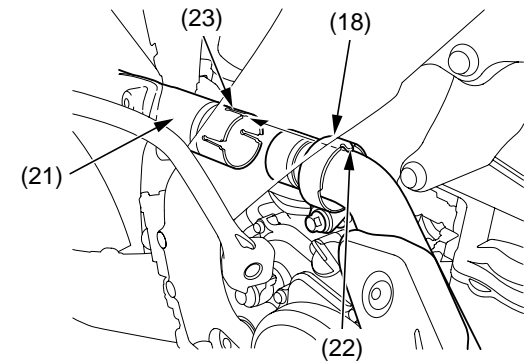
(17) IAT sensor connector

11. Remove the old gasket from exhaust pipe.
12. Install the muffler clamp (18) and a new gasket (19) to the exhaust pipe (20).



(18) muffler clamp
(19) gasket (new)
(20) exhaust pipe

13. Install the muffler (21).
14. Install the muffler clamp (18) by aligning the tab (22) of the muffler clamp with the cutout (23) of the muffler.



(18) muffler clamp
(21) muffler
(22) tab
(23) cutout