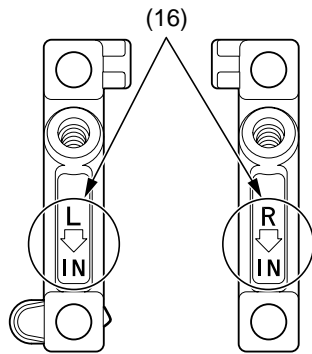


Valve Clearance

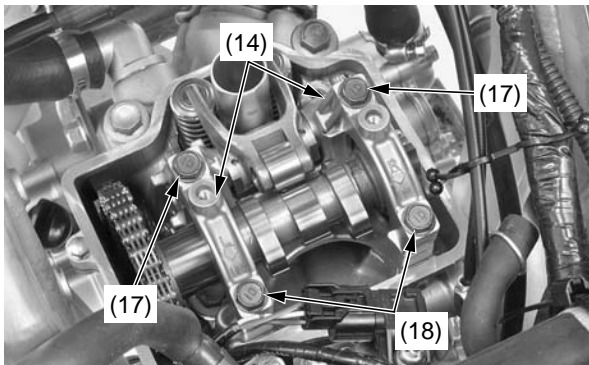
Each camshaft holder has an identification mark (16).



(16) identification marks

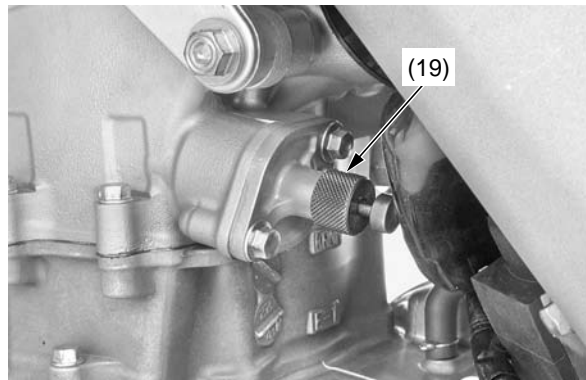
6. Install the camshaft holders (14) in their proper position by aligning the camshaft bearing grooves (15) with the set rings (13).
7. Apply oil to the camshaft holder bolt threads and seating surface.
Tighten the camshaft holder bolts A (17) and B (18) to the specified torque:
12 lbf·ft (16 N·m, 1.6 kgf·m)

Tighten the camshaft holder bolts in a criss-cross pattern in two or three steps.



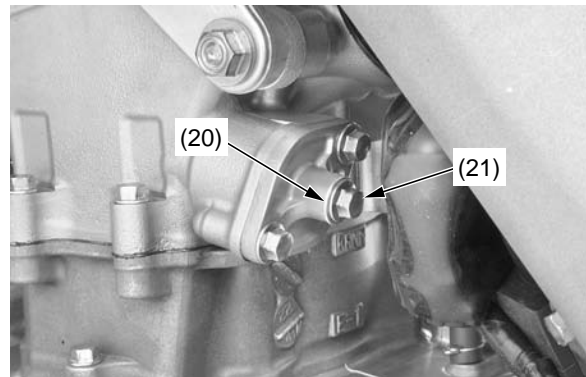
(14) camshaft holders
(17) camshaft holder bolts A
(18) camshaft holder bolts B

8. Remove the tensioner stopper (19) from the cam chain tensioner lifter.



(19) tensioner stopper

9. Install a new sealing washer (20) and tighten the cam chain tensioner lifter cover bolt (21).



(20) sealing washer
(21) cam chain tensioner lifter cover bolt

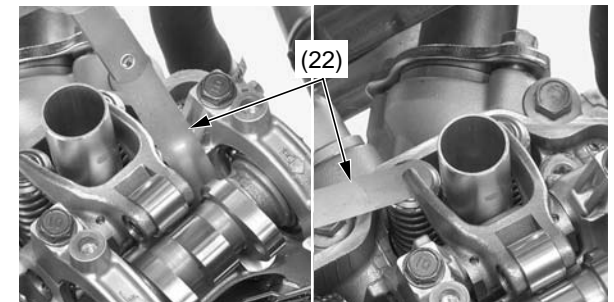
10. Rotate the camshaft by rotating the crankshaft clockwise several times.

11. Insert the feeler gauge (22) between the intake valve lifter and cam.

If the feeler gauge cannot be inserted, the shim is caught between the valve lifter and the valve retainer. Remove the camshaft holders, place the shim correctly, and reinstall the camshaft holders.

Valve Clearances:

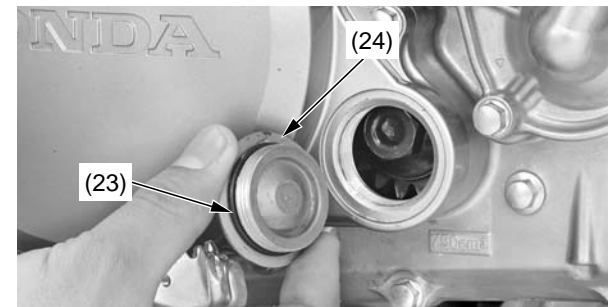
IN: 0.005 ± 0.001 in (0.12 ± 0.03 mm)
EX: 0.011 ± 0.001 in (0.28 ± 0.03 mm)



(22) feeler gauge

12. Install the spark plug (page 67).
13. Coat a new O-ring (23) with oil and install it onto the crankshaft hole cap (24).
Apply grease to the crankshaft hole cap threads.

Install and tighten the crankshaft hole cap to the specified torque:
11 lbf·ft (15 N·m, 1.5 kgf·m)



(23) O-ring (new)
(24) crankshaft hole cap