

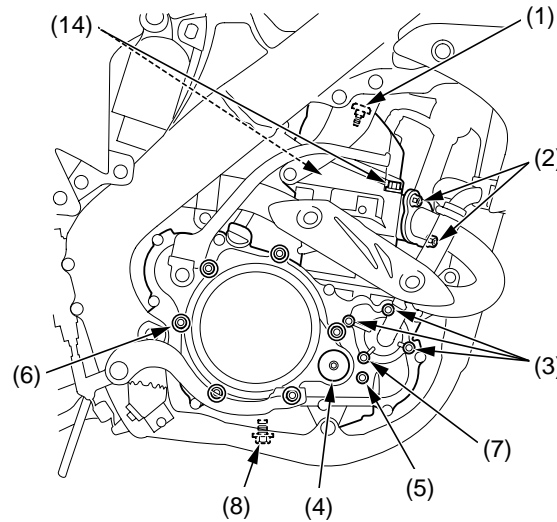
Additional Maintenance Procedures

Nuts, Bolts, Fasteners

Check and tighten nuts, bolts, and fasteners before every outing.

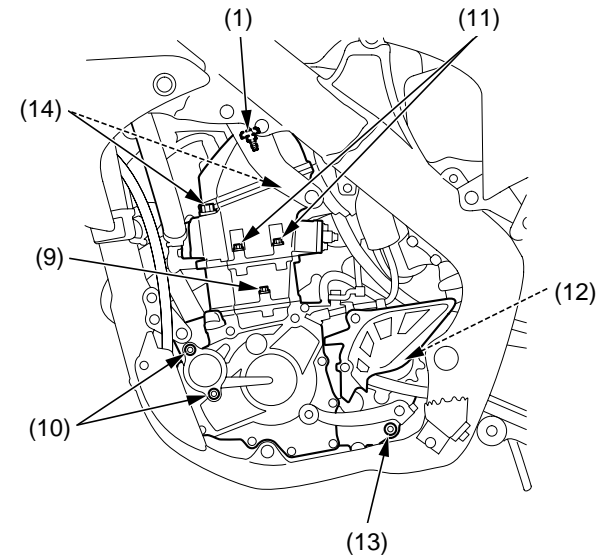
	Item	Torque		
		lbf•ft	N•m	kgf•m
	ENGINE			
1	Cylinder head cover bolts	7	10	1.0
2	Exhaust pipe joint nuts	15	21	2.1
3	Water pump cover bolts	7	10	1.0
4	Crankshaft hole cap	11	15	1.5
5	Transmission oil check bolt			
6	Clutch cover bolts	9	12	1.2
7	Coolant drain bolt	7	10	1.0
8	Engine oil drain bolt	12	16	1.6
9	Cylinder bolt	7	10	1.0
10	Oil filter cover bolts	9	12	1.2
11	Cylinder head bolts	7	10	1.0
12	Drive sprocket bolt	23	31	3.2
13	Transmission oil drain bolt	12	16	1.6
14	Cylinder head stud bolts	33	45	4.6

RIGHT SIDE



- (1) cylinder head cover bolts
- (2) exhaust pipe joint nuts
- (3) water pump cover bolts
- (4) crankshaft hole cap
- (5) transmission oil check bolt
- (6) clutch cover bolts
- (7) coolant drain bolt
- (8) engine oil drainbolt

LEFT SIDE



- (9) cylinder bolt
- (10) oil filter cover bolts
- (11) cylinder head bolts
- (12) drive sprocket bolt
- (13) transmission oil drain bolt
- (14) cylinder head stud bolts