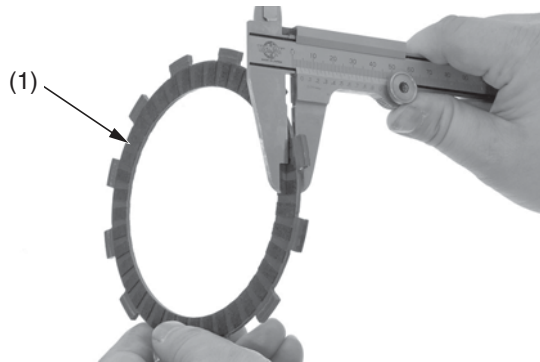


Clutch System

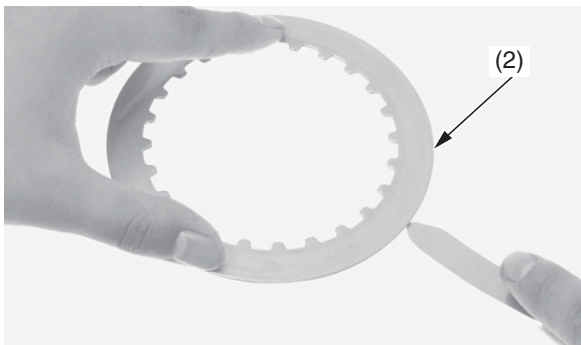
Clutch Disc/Plate Inspection

- Replace the clutch discs (1) if they show signs of scoring or discoloration. Measure the thickness of each clutch disc. Service Limit: 0.112 in (2.85 mm) Replace the clutch discs and clutch plates as a set.



(1) clutch discs

- Check the clutch plates (2) for excessive warpage or discoloration. Check the plate warpage on a surface plate using a feeler gauge. Service Limit: 0.004 in (0.10 mm) Replace the clutch discs and plates as a set.

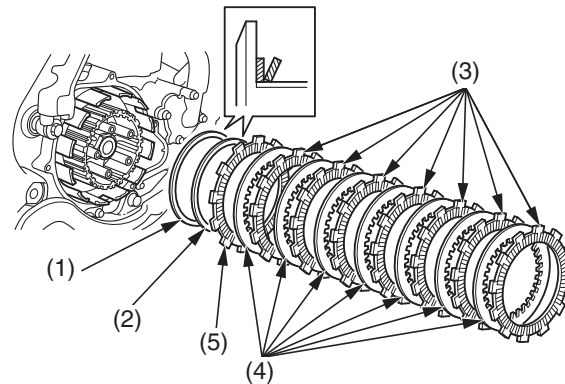


(2) clutch plates

- If you feel the clutch slippage when replacing the clutch discs and plates, replace the clutch springs.

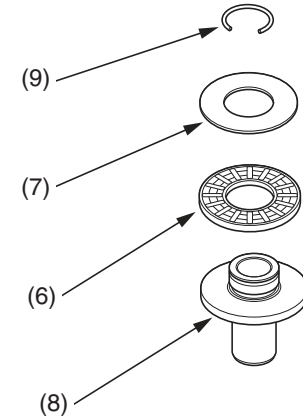
Clutch Disc/Plate Installation

1. Install the spring seat (1) and judder spring (2) onto the clutch center as shown. Coat the clutch discs (3) and clutch plates (4) with engine oil.
2. Install the clutch disc A (larger I.D. disc) (5) onto the clutch outer. Stack the seven clutch plates and seven clutch discs alternately.



(1) spring seat
(2) judder spring
(3) clutch discs
(4) clutch plates
(5) clutch disc A

3. Apply engine oil to the needle bearing (6) and washer (7) and install them onto the clutch lifter (8). Then, install a new clip (9) by fitting it into the groove in the clutch lifter.



(6) needle bearing
(7) washer

(8) clutch lifter
(9) clip (new)