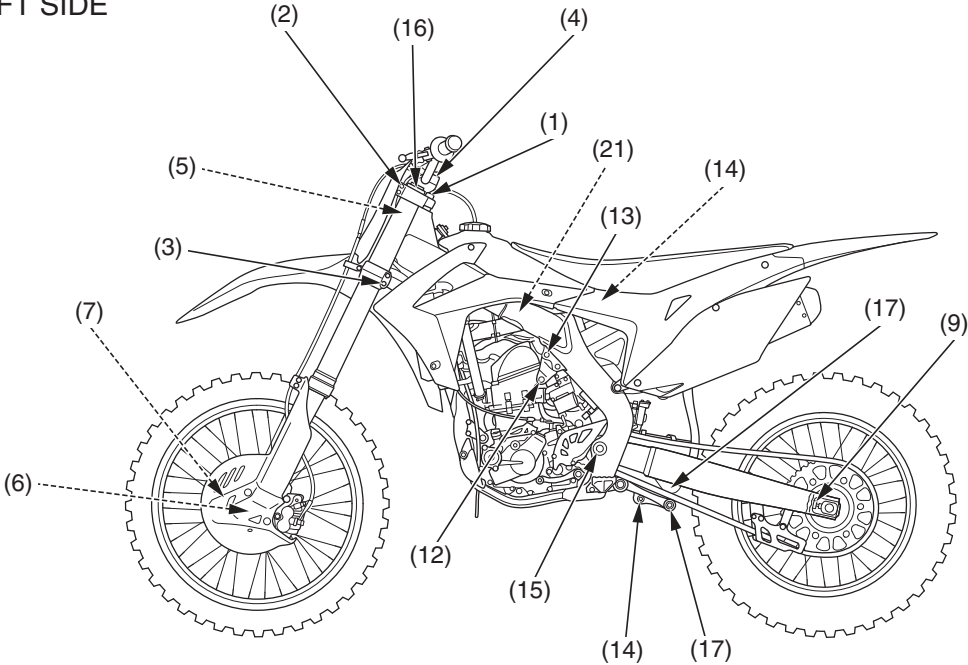
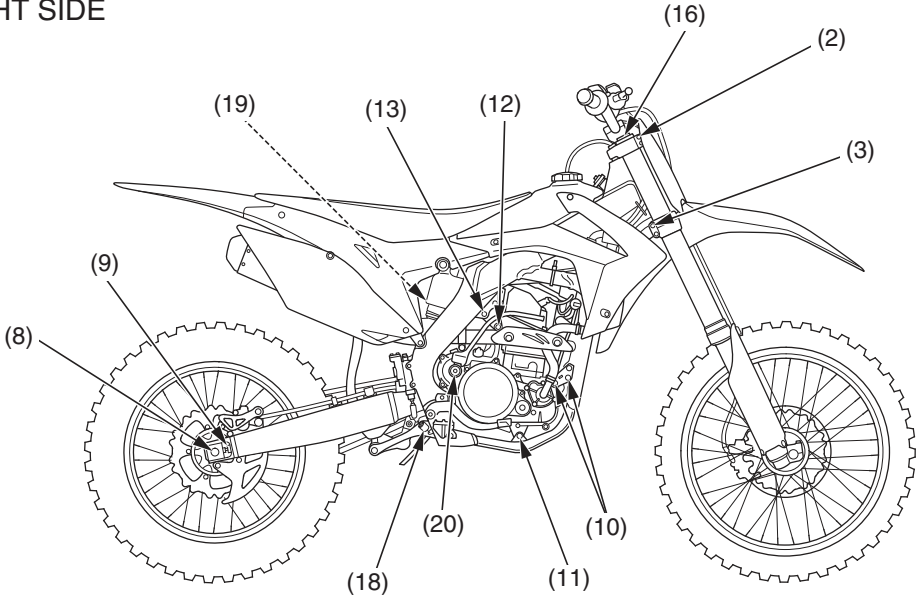


Torque Specifications

LEFT SIDE



RIGHT SIDE



FRAME

Item	Torque			Remarks	
	lbf-ft	N-m	kgf-m		
1	Steering stem nut	80	108	11.0	
2	Fork bridge upper pinch bolts	16	22	2.2	
3	Fork bridge lower pinch bolts	15	20	2.0	
4	Handlebar upper holder bolts	16	22	2.2	
5	Handlebar lower holder nuts	32	44	4.5	
6	Front axle nut	65	88	9.0	
7	Axle pinch bolts	15	20	2.0	
8	Rear axle nut	94	128	13.1	NOTE 1
9	Chain adjuster lock nuts	20	27	2.8	NOTE 2
10	Front engine hanger nuts	40	54	5.5	
	Front engine hanger plate nuts	19	26	2.7	
11	Lower engine hanger nut	40	54	5.5	
12	Cylinder head hanger bolts	40	54	5.5	
13	Cylinder head hanger plate bolts	24	32	3.3	
14	Rear suspension (upper)	32	44	4.5	NOTE 1
	(lower)	32	44	4.5	NOTE 1
15	Swingarm pivot nut	65	88	9.0	NOTE 1
16	Fork (fork cap assembly)	22	30	3.1	
	(fork damper)	25	34	3.5	
17	Rear shock arm nuts (swingarm side: nut width 17 mm)	39	53	5.4	NOTE 1, 6
	(shock link side: nut width 19 mm)	39	53	5.4	NOTE 1, 6
18	Rear shock link nut	39	53	5.4	NOTE 1, 6
19	Rear shock spring lock nut	32	44	4.5	
20	Kickstarter arm bolt	28	38	3.9	NOTE 5
21	Fuel pump mounting bolts	8	11	1.1	

NOTES: 1. U-nut
 2. UBS nut
 5. Alock bolt: replace with a new one.
 6. Apply molybdenum oil to the threads and flange surface.