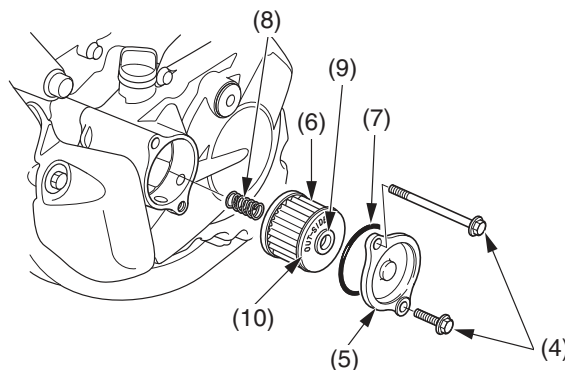


7. It is recommended to replace the oil and filter every 6 races or about every 15.0 hours. However, if you replace only the oil before the recommended interval, see [page 25](#).

8. Remove the oil filter cover bolts (4) and oil filter cover (5).
 9. Remove the oil filter (6) and O-ring (7) from the oil filter cover.
 10. Remove the spring (8).



- (4) oil filter cover bolts
 (5) oil filter cover
 (6) oil filter (new)
 (7) O-ring (new)
 (8) spring
 (9) rubber seal
 (10) "OUT-SIDE" mark

NOTICE

Using the wrong oil filter may result in leaks or engine damage.

11. Apply grease to the filter side of the spring end, then install the spring into a new oil filter.
 12. Position the spring against the engine crankcase and install a new oil filter with the rubber seal (9) facing out, away from the engine. You should see the "OUT-SIDE" mark (10) on the filter body, near the seal. Use a new Honda Genuine oil filter or a filter of equal quality specified for your model.

NOTICE

If the oil filter is not installed properly, it will cause serious engine damage.

13. Apply engine oil to a new O-ring and install it to the oil filter cover.
 14. Install the oil filter cover being careful not to damage the O-ring, then tighten the oil filter cover bolts to the specified torque:
9 lbf·ft (12 N·m, 1.2 kgf·m)
 15. Fill the crankcase with the recommended oil.
 Capacity:
 0.73 US qt (0.69 ℓ) after draining and filter change
 0.71 US qt (0.67 ℓ) after draining
 16. Install the engine oil fill cap/dipstick.
 17. Check the engine oil level by following the steps in *Checking & Adding Oil* ([page 50](#)).

Pour the drained oil into a suitable container and dispose of it in an approved manner ([page 156](#)).

NOTICE

Improper disposal of drained fluids is harmful to the environment.