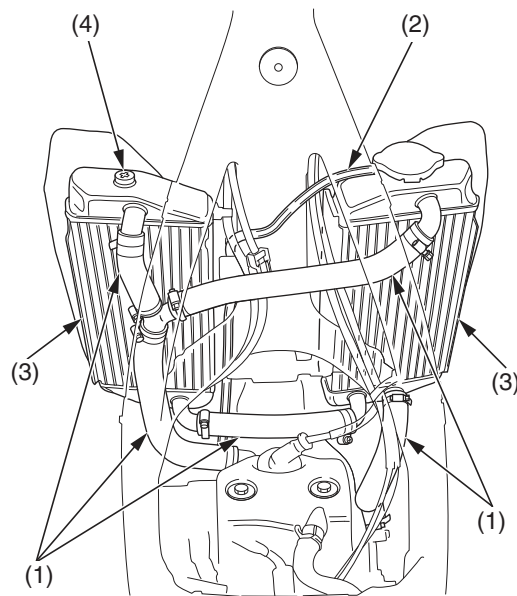


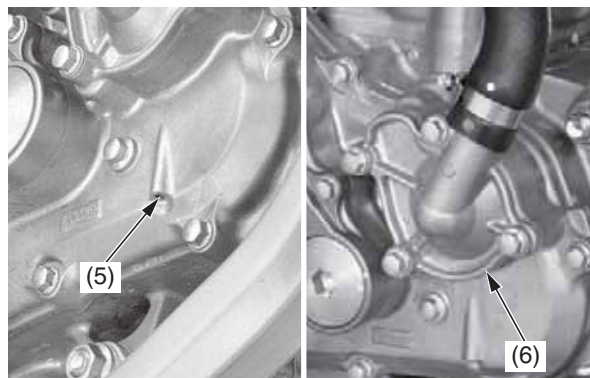
Cooling System Inspection

1. Check the cooling system for leaks (see an official Honda Service Manual for troubleshooting of leaks).
2. Check the radiator hoses (1) for cracks, deterioration, and radiator hose clamps for looseness.
3. Check the radiator mount for looseness.
4. Make sure the overflow hose (2) is connected and not clogged.
5. Check the radiator fins (3) for clogging.
6. Check the air bleed bolt (4) for looseness.



- (1) radiator hoses (3) radiator fins
 (2) overflow hose (4) air bleed bolt

7. Check the bleed hole (5) below the water pump cover (6) for leakage. Clean away any clogged dirt or sand, if necessary. Check the bleed hole of the water pump for signs of seal leakage. If water leaks through the bleed hole, replace the mechanical seal. If oil leaks through the bleed hole, replace the oil seal. Make sure that there is no continuous coolant leakage from the bleed hole while operating the engine. A small amount of coolant weeping from the bleed hole is normal. See an official Honda Service Manual or consult your dealer for replacing the mechanical seal or oil seal. Both seals should be replaced at the same time.



- (5) bleed hole
 (6) water pump cover

Coolant Replacement

Refer to *Important Safety Precautions* on [page 23](#).

Coolant should be replaced by your dealer, unless you have the proper tools and service data and are mechanically qualified. Refer to an official Honda Service Manual ([page 172](#)).

⚠ WARNING

Removing the radiator cap while the engine is hot can cause the coolant to spray out, seriously scalding you.

Always let the engine and radiator cool down before removing the radiator cap.

To properly dispose of drained coolant, refer to *You & the Environment* on [page 156](#).

NOTICE

Improper disposal of drained fluids is harmful to the environment.