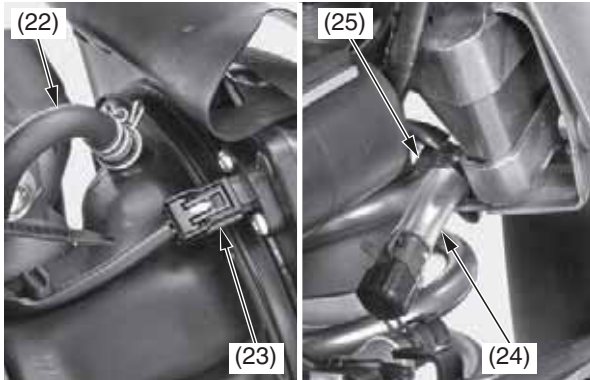


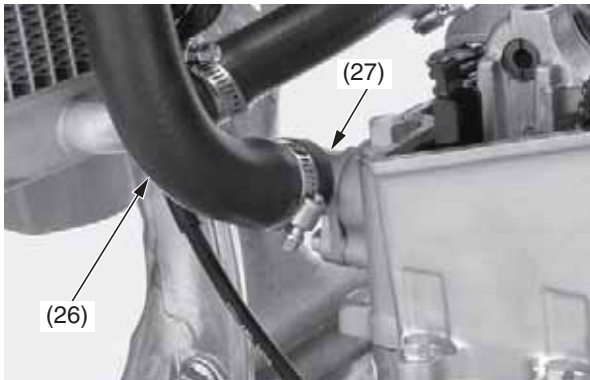
Piston/Piston Rings/Piston Pin

12. Connect the breather tube A (22).
Connect the IAT sensor connector (23).
13. Secure the breather tube B (24) with the clip (25).



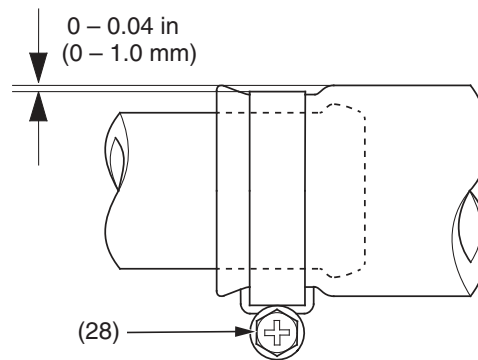
(22) breather tube A
(23) IAT sensor connector
(24) breather tube B
(25) clip

14. Connect the radiator hose (26) to the water hose joint (27) of the cylinder head.



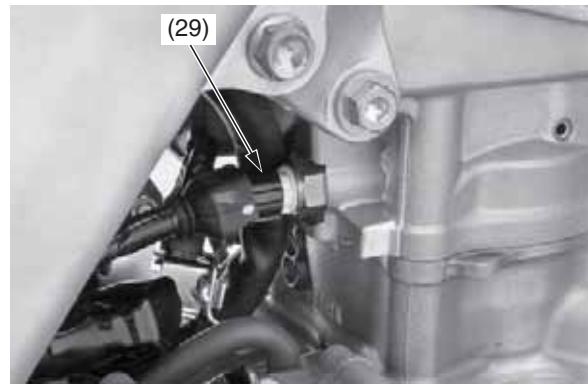
(26) radiator hose
(27) water hose joint

15. Tighten the radiator hose clamp screw (28) as illustrated below.



(28) radiator hose clamp screw

16. Connect the ECT sensor connector (29).



(29) ECT sensor connector

17. Install the shims, valve lifters, camshaft and camshaft holder (page 73).
18. Install the crankshaft hole cap (page 75).
19. Install the cylinder head cover (page 76).
20. Install the spark plug (page 67).
21. Install the exhaust pipe (page 111).
22. Install the subframe (page 38) and left and right mufflers (page 109).
23. Install the fuel tank and seat (pages 34, 36).
24. Fill and bleed the cooling system (page 155).
Check for the following:
 - compression leaks
 - abnormal engine noise
 - secondary air leaks
 - exhaust gas leaks
 - coolant leaks
 - oil leaks