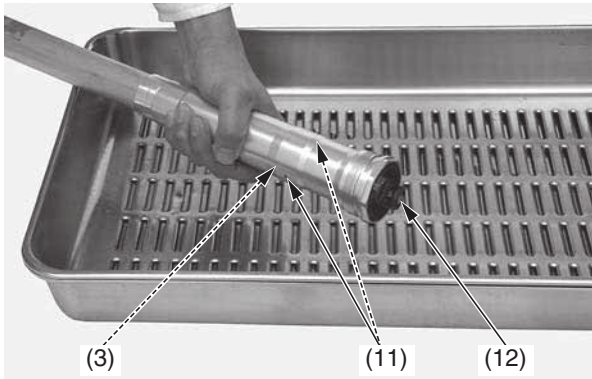


Front Suspension Adjustments

13. Drain the extra oil from the oil holes (11) of the fork damper oil chamber (3).

By doing above procedure, about 0.2 US oz (5 cm³) of fork oil will be drained from the fork damper oil chamber through the oil hole and cause 10.1 US oz (300 cm³) of fork oil to be left in the fork damper oil chamber.

14. Blow out the oil from the fork damper oil chamber using compressed air to the oil hole. Wipe the oil completely off the fork damper. If you cannot use compressed air, remove the pressure release screw (12). Hold the fork damper up side down for 20 minutes and drain the oil from the fork damper oil chamber.



(3) fork damper oil chamber
(11) oil holes
(12) pressure release screw

Pour the drained oil into a suitable container and dispose of it in an approved manner ([page 156](#)).

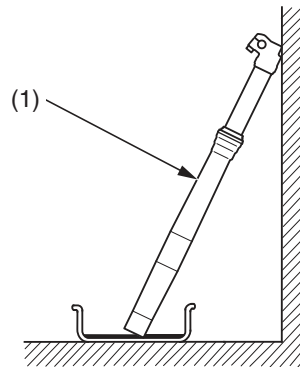
NOTICE

Improper disposal of drained fluids is harmful to the environment.

15. Install and tighten the pressure release screw to the specified torque:
1.0 lbf·ft (1.3 N·m, 0.1 kgf·m)

Right Fork Assembly

1. Drain the fork oil from the fork assembly (1) by placing it upside down.
(About 0.2 US oz (7 cm³) of fork oil will be left in the outer tube/slider when it is left inverted for about 20 minutes at 68°F/20°C)



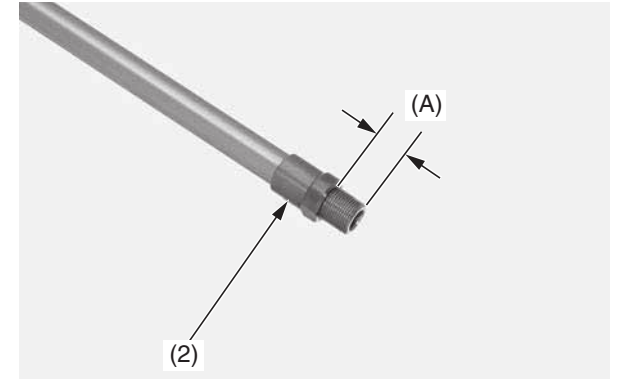
(1) fork assembly

To properly dispose of drained fluids, refer to *You & the Environment* on [page 156](#).

NOTICE

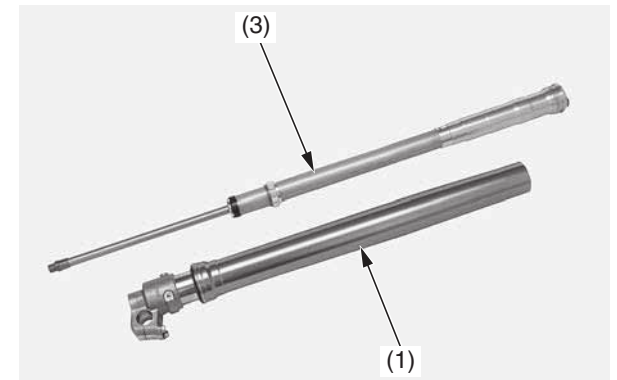
Improper disposal of drained fluids is harmful to the environment.

2. Tighten the fork center bolt lock nut (2) fully and measure the thread length (A) as shown.
Standard: 0.39 – 0.47 in (10.0 – 12.0 mm)
Wipe the oil completely off the fork damper.



(2) fork center bolt lock nut (A) thread length

3. Install the fork damper assembly (3) to the fork assembly (1).
4. Temporarily tighten the fork damper assembly to the fork assembly.



(1) fork assembly
(3) fork damper assembly

(cont'd)