

Always follow the proper starting procedure described below.

Your CRF can be started with the transmission in gear by pulling in the clutch lever before operating the start button.

## Fast Idle Knob

The fast idle knob has two functions:

- When pulled out, the fast idle knob assists in first-time start-up for cold weather starting.
- When pushed in, it acts like an idle adjustment screw. Refer to *Idle Speed Adjustment* on page 61.

## Preparation

Make sure that the transmission is in neutral.

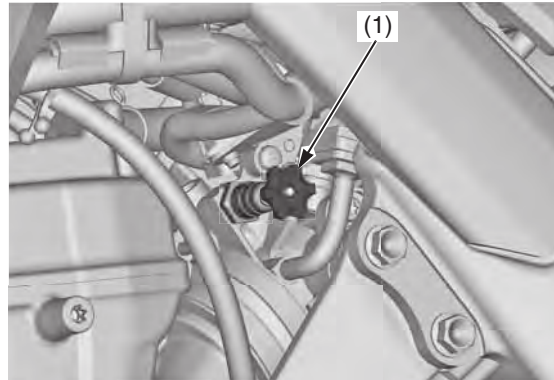
## Starting Procedure

Always follow the proper starting procedure described as follows.

Check the engine oil and coolant levels before starting the engine (pages 52, 54).

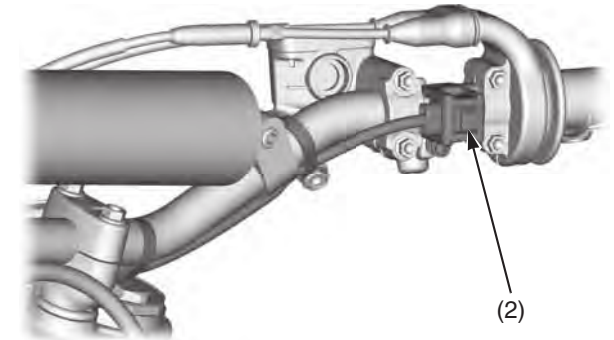
### Cold Engine Starting

1. Shift the transmission into neutral.
2. If the temperature is 50°F (10°C) or below, pull the fast idle knob (1) fully out.



(1) fast idle knob

3. With the throttle closed.  
Pull the clutch lever all the way in, and depress the start button (2).



(2) start button

4. About a minute after the engine starts, push the fast idle knob back all the way to fully OFF.  
If idling is unstable, open the throttle slightly.

(cont'd)