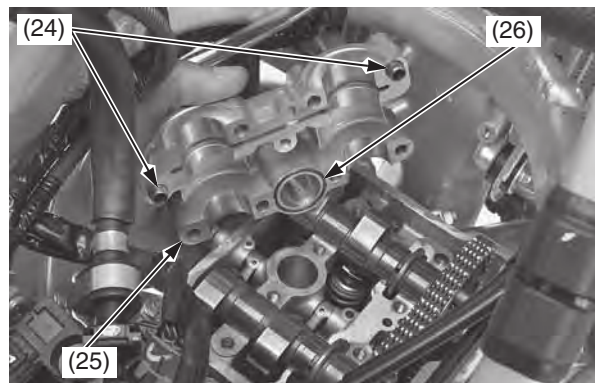


14. Make sure that the dowel pins (24) are installed into the camshaft holder (25).
Coat a new O-ring (26) with engine oil and install it onto the camshaft holder.

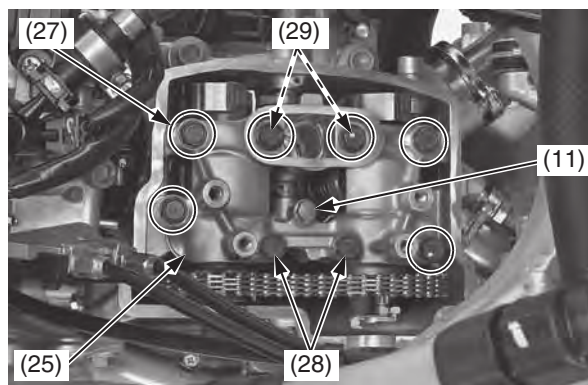


(24) dowel pins
(25) camshaft holder
(26) O-ring (new)

15. Apply engine oil to the camshaft holder A bolts (27) and B bolts (28) threads and seating surfaces.
Install the camshaft holder (25).
Install a new washers (29), the camshaft holder A bolts and B bolts, and tighten the camshaft holder A bolts and B bolts to the specified torque:
10 lbf-ft (13 N·m, 1.3 kgf·m)
Install and tighten the rocker arm shaft stopper bolt (11) to the specified torque:
7 lbf-ft (10 N·m, 1.0 kgf·m)

NOTICE

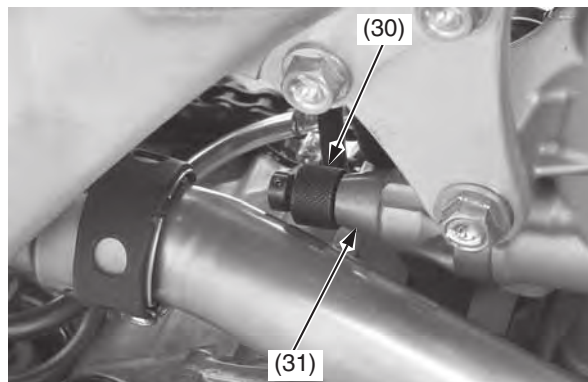
Do not let the camshaft holder A bolts, B bolts, washers and rocker arm shaft stopper bolt fall into the crankcase.



(11) rocker arm shaft stopper bolt
(25) camshaft holder
(27) camshaft holder A bolts
(28) camshaft holder B bolts
(29) washers (new)

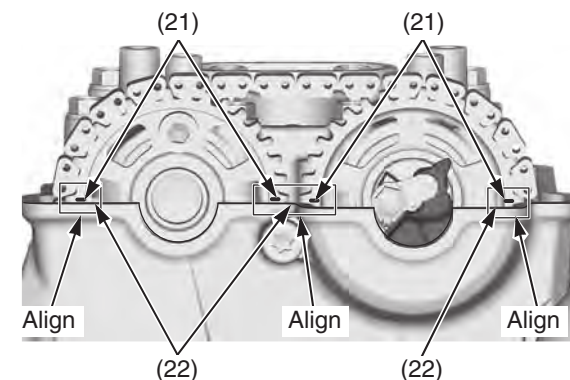
16. Remove the tensioner stopper (30) from the cam chain tensioner lifter (31).

• Tensioner stopper **07AMG-001A100**



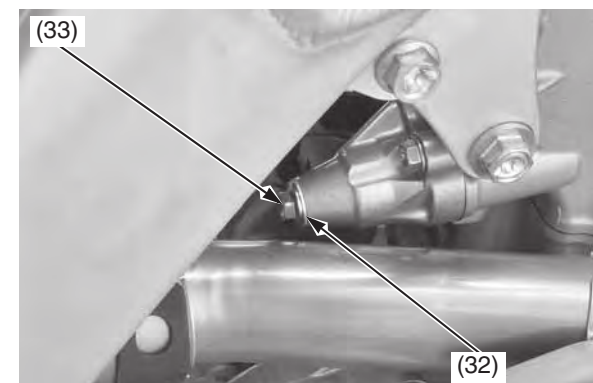
(30) tensioner stopper
(31) cam chain tensioner lifter

17. Make sure that the piston is at TDC on the compression stroke (page 69).
Check that the timing marks (21) on the cam sprockets aligns with the cylinder head mating surface (22).



(21) timing marks
(22) cylinder head mating surface

18. Install a new sealing washer (32) and the cam chain tensioner lifter cover bolt (33) securely.



(32) sealing washer (new)
(33) cam chain tensioner lifter cover bolt

(cont'd)