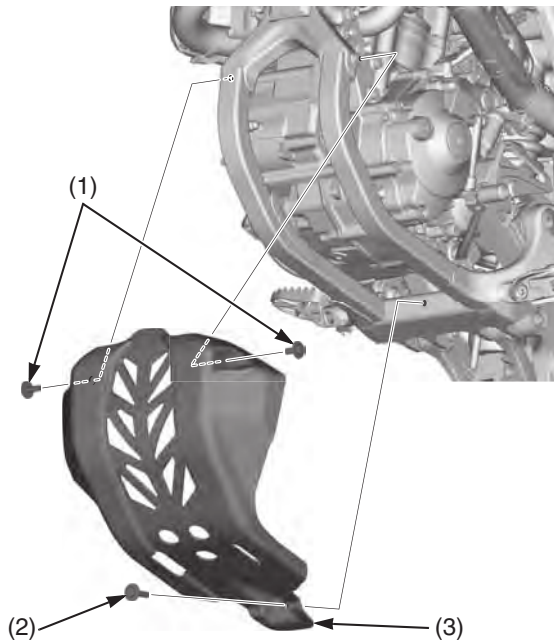


If you won't be riding for an extended period, such as during the winter, thoroughly inspect your CRF and correct any problem before storing it. That way, needed repairs won't be forgotten and it will be easier to get your CRF running again.

To reduce or prevent deterioration that can occur during storage, also follow the following procedures.

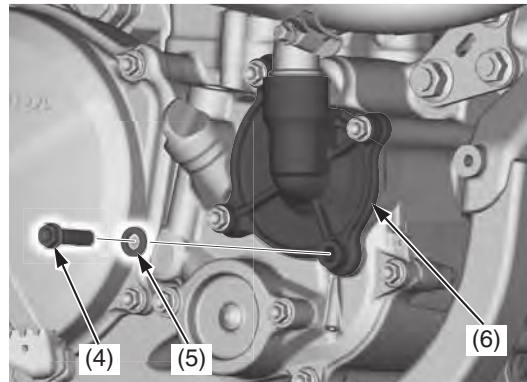
Preparation for Storage

1. Completely clean all parts of your CRF. If your CRF has been exposed to sea air or salt water, wash it down with fresh water and wipe dry.
2. Change the engine oil and filter (page 65).
3. Remove the engine guard A bolts/washers (1), B bolt/washer (2) and engine guard (3).



- (1) engine guard A bolts/washers
 (2) engine guard B bolt/washer
 (3) engine guard

4. Remove the radiator cap, coolant drain bolt (4) and sealing washer (5) at the water pump cover (6) to drain coolant.
 After the coolant has been completely drained, reinstall the drain bolt with a new sealing washer.
 Tighten the drain bolt to the specified torque:
 7 lbf·ft (10 N·m, 1.0 kgf·m)
 Reinstall the radiator cap.



- (4) coolant drain bolt
 (5) sealing washer (new)
 (6) water pump cover

5. Install the engine guard (3), then tighten the engine guard A bolts/washers (1) and B bolt/washer (2) to the specified torque:
 7 lbf·ft (10 N·m, 1.0 kgf·m)
6. Lubricate the drive chain.
7. Relieve the fuel pressure (pages 45, 55) and drain the fuel from the fuel tank into an approved gasoline container.
8. Remove the battery.
 Store in an area protected from freezing temperatures and direct sunlight. Slow charge the battery (page 138) once a month.
9. Inflate the tires to their recommended pressures.
10. Place your CRF on an optional workstand or equivalent to raise both tires off the ground.

11. Stuff a rags into the muffler outlets. Then tie a plastic bags over the ends of the mufflers to prevent moisture from entering.
12. Store your CRF in an unheated area, free of dampness, away from sunlight, with a minimum of daily temperature variation.
13. Cover your CRF with a porous material. Avoid using plastic or similar non-breathing, coated materials that restrict air flow and allow heat and moisture to accumulate.

Removal from Storage

1. Uncover and clean your CRF.
 Change the engine oil if more than 4 months have passed since the start of storage.
2. Uncover the ends of the mufflers and remove the rags from the muffler outlets.
3. Fill the fuel tank with the recommended fuel (pages 44, 54).
4. Charge the battery (page 138) as required. Install the battery.
5. Pour a fresh recommended coolant mixture slowly into the radiator fill hole up to the filler neck (page 68).
 Capacity:
 1.14 US qt (1.08 ℓ) after disassembly
 0.99 US qt (0.94 ℓ) after draining

 Lean your CRF slightly right and left several times to bleed trapped air in the cooling system.
 If the coolant level lowers, add coolant and repeat the above procedure.
 Install the radiator cap securely.
6. Increase the fuel pressure (pages 53, 63).
7. Perform all maintenance checks (page 13).