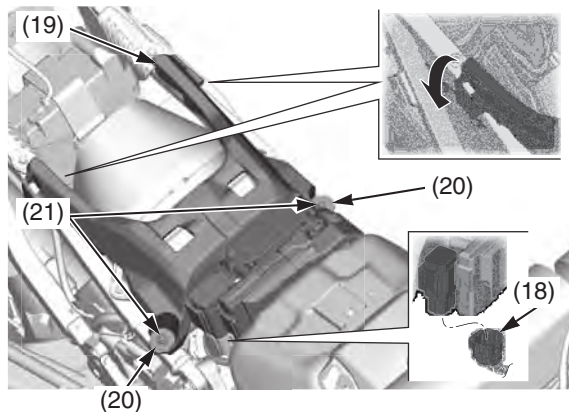


7. Connect the starter/ignition relay connector (18) and install the seat support base (19).
8. Install and tighten the collars (20), and seat support base mounting bolts (21) to the specified torque:
7 lbf·ft (10 N·m, 1.0 kgf·m)



- (18) starter/ignition relay connector
(19) seat support base
(20) collars
(21) seat support base mounting bolts

9. Install the left and right mufflers (page 132).

10. Install the right and left shrouds (pages 36, 39).
11. Install the seat (page 33).