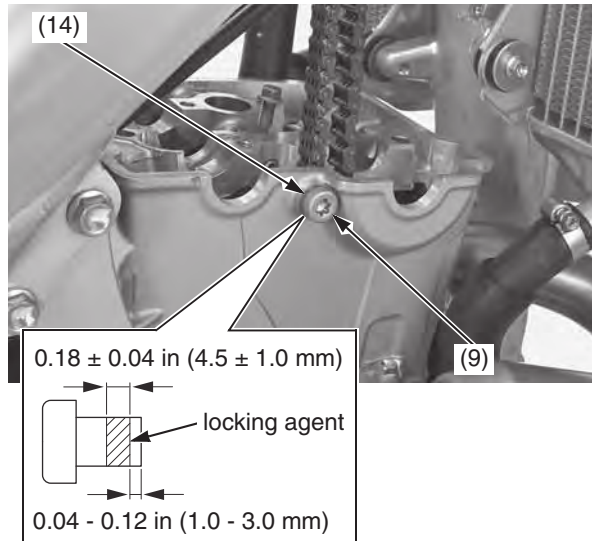


Valve Clearance

- Clean the threads of the sealing bolt (9). Apply locking agent to the bolt threads. Install a new sealing washer (14) and tighten sealing bolt to the specified torque:
13 lbf·ft (18 N·m, 1.8 kgf·m)



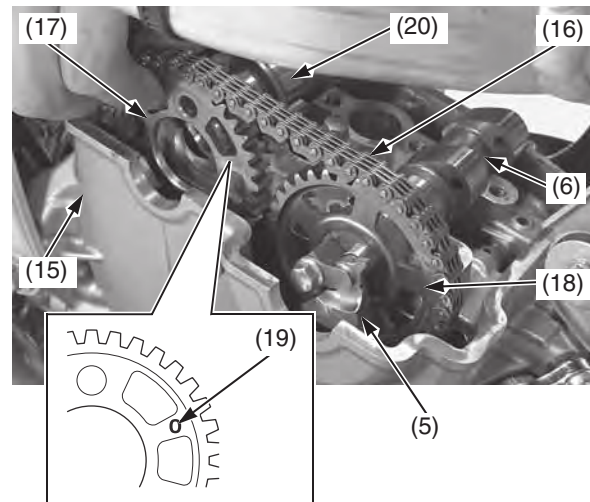
- (9) sealing bolt
(14) sealing washer (new)

- Install the exhaust camshaft (6) onto the cylinder head (15) with the decompressor weight (5) facing down as illustrated below.
- Install the cam chain (16) to the intake (17) and exhaust (18) cam sprockets while the “O” mark (19) of the intake cam sprocket is facing outside as shown.

NOTICE

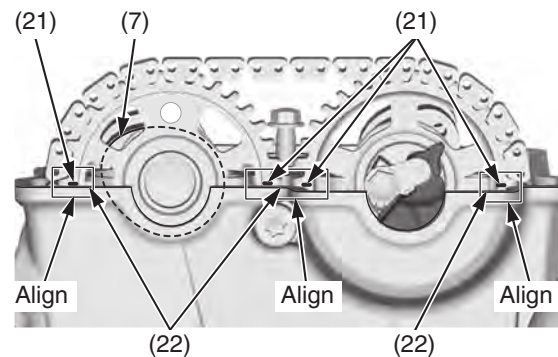
Do not let the cam chain and intake cam sprocket fall into the crankcase.

- Insert the intake camshaft (20) into the intake cam sprocket (17).



- (5) decompressor weight (17) intake cam sprocket
(6) exhaust camshaft (18) exhaust cam sprocket
(15) cylinder head (19) “O” mark
(16) cam chain (20) intake camshaft

- Make sure that the timing marks (21) on the cam sprockets align with the cylinder head mating surface (22). Make sure that the intake camshaft cam lobe (7) is in position as shown.

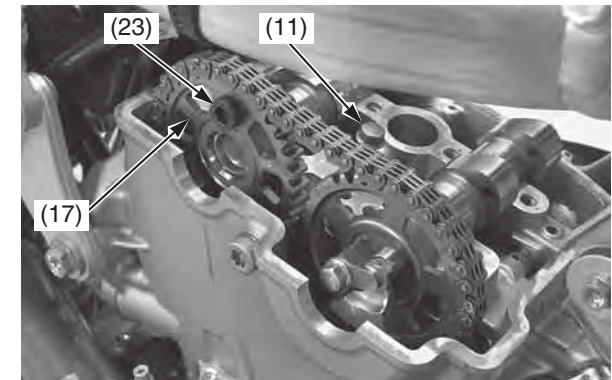


- (7) camshaft cam lobe
(21) timing marks
(22) cylinder head mating surface

- Clean the threads of the cam sprocket bolt (23) and intake cam sprocket (17) thoroughly. Install and temporarily tighten the cam sprocket bolt.
- Remove the rocker arm shaft stopper bolt (11).

NOTICE

Do not let the cam sprocket bolt and rocker arm shaft stopper bolt fall into the crankcase.



- (11) rocker arm shaft stopper bolt
(17) intake cam sprocket
(23) cam sprocket bolt