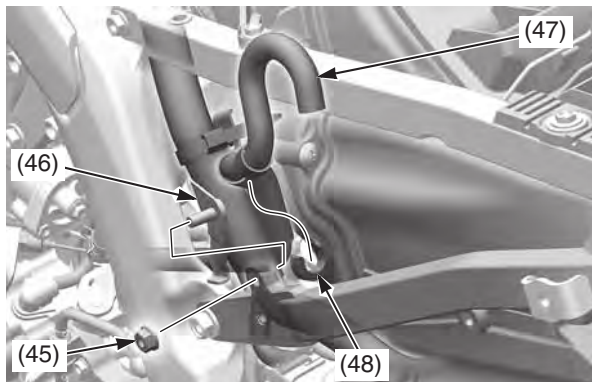
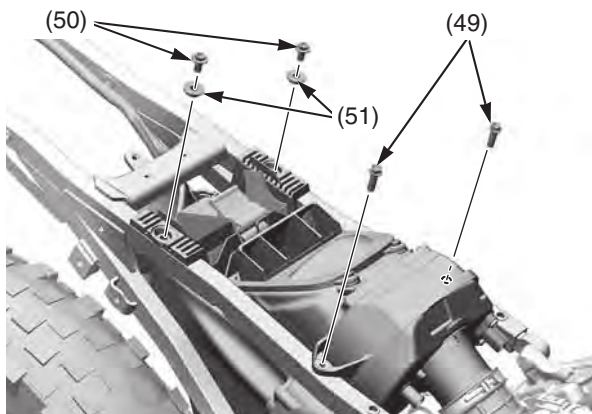


19. Remove the flange nut (45) and release the wire harness guide (46) from the subframe. Release the canister air tube (47) from the air cleaner housing boss (48).



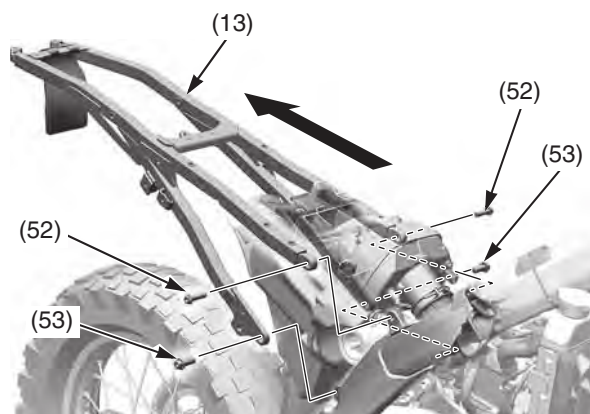
(45) flange nut
(46) harness guide
(47) canister air tube
(48) boss

20. Remove the air cleaner housing mounting A bolts (49), air cleaner housing mounting B bolts (50) and collars (51).



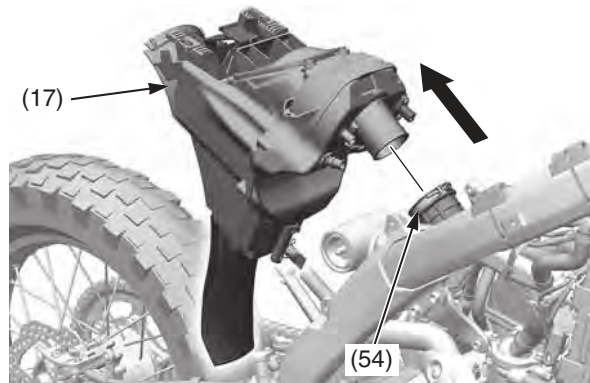
(49) air cleaner housing mounting A bolts
(50) air cleaner housing mounting B bolts
(51) collars

21. Remove the subframe upper mounting bolts (52) and lower mounting bolts (53). Remove the subframe (13) to the rearward being careful not to damage the wire harness.



(13) sub frame
(52) upper mounting bolts
(53) lower mounting bolts

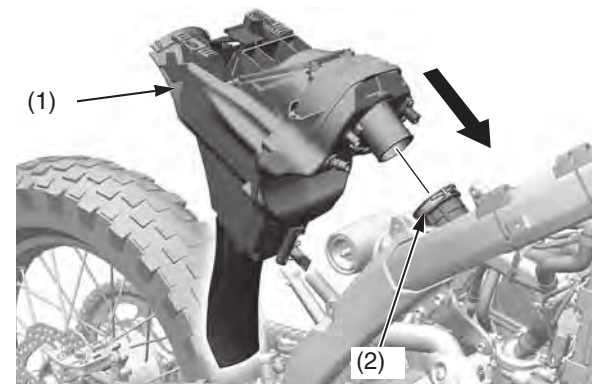
22. Remove the air cleaner housing (17) from the connecting tube (54).



(17) air cleaner housing
(54) connecting tube

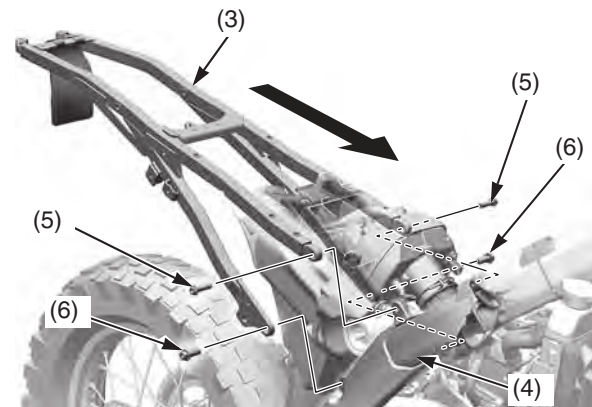
Installation

1. Install the air cleaner housing (1) to the connecting tube (2).



(1) air cleaner housing
(2) connecting tube

2. Loosely attach the upper and lower ends of the subframe (3) to the main frame (4), while installing the wire harness into place and loosely install subframe upper mounting bolts (5) and lower mounting bolts (6).



(3) subframe
(4) main frame
(5) upper mounting bolts
(6) lower mounting bolts

(cont'd)