

Refer to *Important Safety Precautions* on page 33.

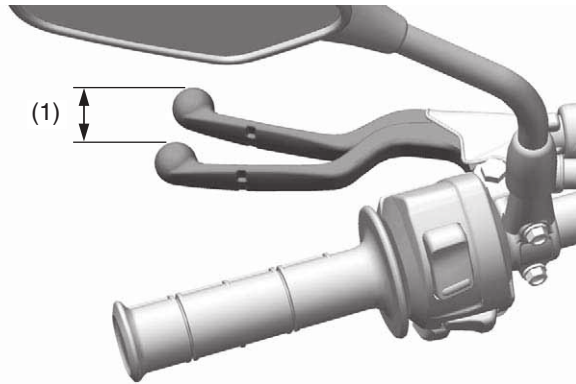
Clutch Lever Freeplay

Inspection

Check freeplay (1).

Freeplay: 3/8 – 13/16 in (10 – 20 mm)

If necessary, adjust to the specified range.



(1) freeplay

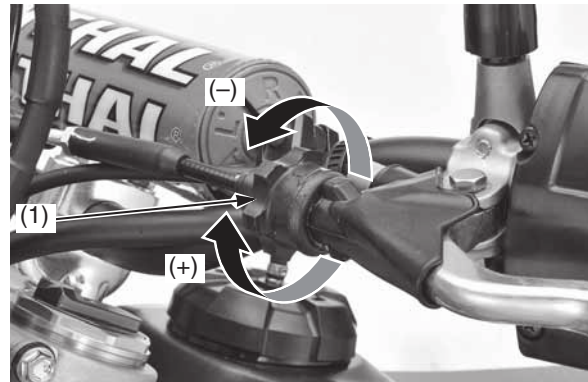
Improper freeplay adjustment can cause premature clutch wear.

Make sure to adjust the clutch lever freeplay after the clutch cable is disconnected.

Cable End Adjustment

Minor adjustments are generally made with the clutch cable end adjuster.

Turning the clutch cable end adjuster (1) in direction (+) will increase freeplay and turning it in direction (-) will decrease freeplay.



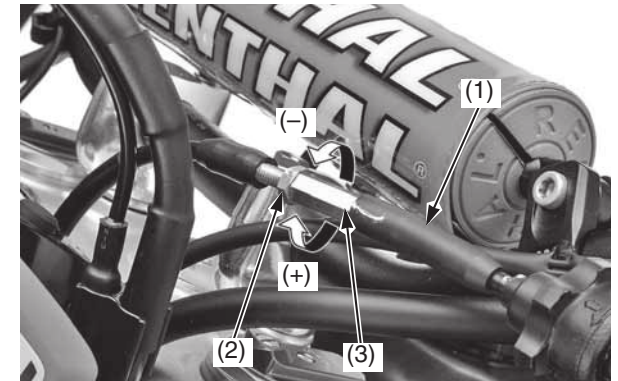
(1) clutch cable end adjuster
(+) increase freeplay
(-) decrease freeplay

If the adjuster is threaded out near its limit or the correct freeplay cannot be reached, turn the adjuster all the way in and back out five turns and make the adjustment with the integral cable adjuster.

Integral Cable Adjustment

The integral cable adjuster is used if the cable end adjuster is threaded out near its limit — or the correct freeplay cannot be obtained.

1. Release the dust cover (1).
2. Turn the cable end adjuster in direction (+) until it seats lightly and then turn it out five turns.
3. Loosen the lock nut (2).
4. Turn the integral cable adjuster (3) to obtain the specified freeplay.
5. Tighten the lock nut. Check the freeplay.



(1) dust cover
(2) lock nut
(3) integral cable adjuster
(+) increase freeplay
(-) decrease freeplay

6. Start the engine, pull the clutch lever in, and shift into gear. Make sure the engine does not stall and the motorcycle does not creep. Gradually release the clutch lever and open the throttle. Your motorcycle should move smoothly and accelerate gradually.

If you can't get proper adjustment, or the clutch does not work properly, the cable may be kinked or worn, or the clutch discs may be worn. Inspect the clutch discs and plates (page 84).