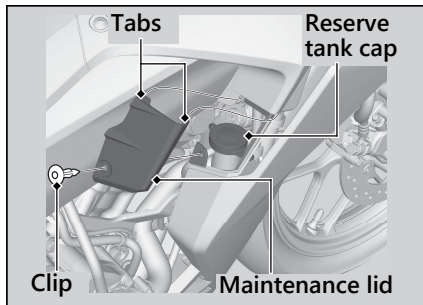


Coolant ► Changing Coolant

1. Remove the clip. **P. 51**
2. Release the tabs and remove the reserve tank maintenance lid.
3. Remove the reserve tank cap and add fluid while monitoring the coolant level.
 - Do not overfill above the upper level mark.
 - Make sure no foreign objects enter the reserve tank opening.
4. Securely reinstall the reserve tank cap.
5. Install the reserve tank maintenance lid.



⚠ WARNING

Removing the radiator cap while the engine is hot can cause the coolant to spray out, potentially scalding you.

Always let the engine and radiator cool down before removing the radiator cap.

Changing Coolant

Have your dealer change the coolant unless you have the proper tools and are mechanically qualified.