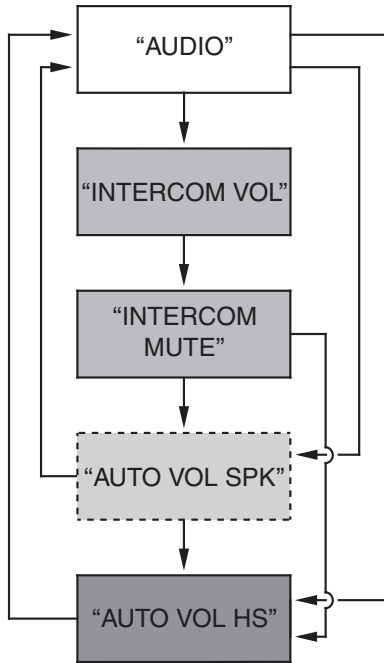


Audio Systems

VOLUME Knob/Button Function



• → Push the VOLUME Knob/Button

• [Light Gray Box] When INT. COM is ON

• [Dashed Box] When the speaker is used

• [Dark Gray Box] When the headset is used