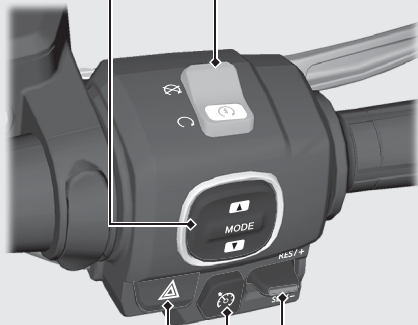



**MODE button**


Changes the riding mode. ➔ P.118


**⚠ Hazard switch**

Switchable when the ignition switch is ON. Can be turned off regardless of the ignition switch position.

- ▶ The signals continue flashing with the ignition switch in OFF or **🔒** (Lock) after the hazard switch is on.

**Engine stop switch/  Start button**

Should normally remain in the  (Run) position.

- ▶ In an emergency, switch to the  (Stop) position to stop the engine.
- ▶ Press the start button to start the engine. ➔ P.110

**Cruise control lever**

Push up or down to set the speed or adjust the set speed.

➔ P.121

** Cruise control main switch**

Press to activate the cruise control system. ➔ P.121