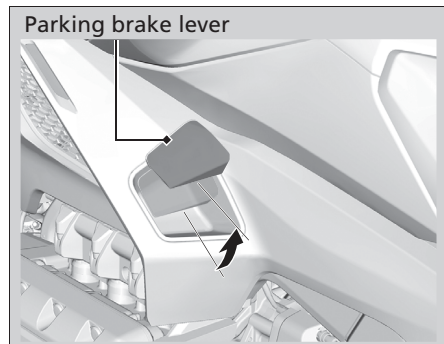


Checking the Parking Brake

GL1800D/BD/DA

Place your motorcycle on a firm, level surface. Stop the engine and push your motorcycle while set the parking brake to check the efficacy of the parking brake.

If the efficacy of the parking brake becomes weak, have the brake adjusted by your dealer.



Adjusting the Brake Light Switch

Check the operation of the brake light switch.

Hold the brake light switch and turn the adjusting nut in the direction A if the switch operates too late, or turn the nut in the direction B if the switch operates too soon.

