

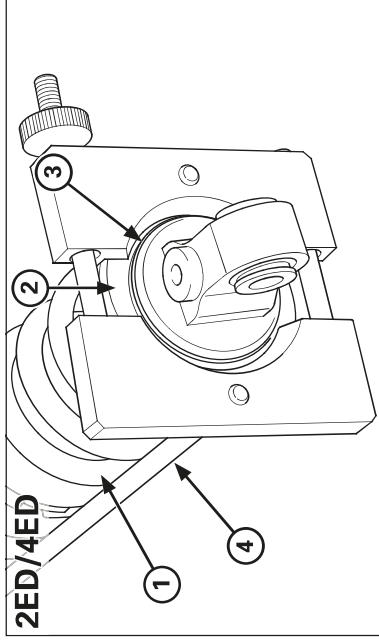
- (1) DUST SEALS
- (2) STOP RING (2ED/4ED)
- (3) SPHERICAL BEARING

Spherical Bearing Replacement

Remove the collars and dust seals.
 Check the spherical bearing for smooth rotation or damage.
 Remove the stop ring (2ED/4ED)
 Press the spherical bearing out using the special tool.

Tool:
Spherical bearing driver 07HMF-KS60100

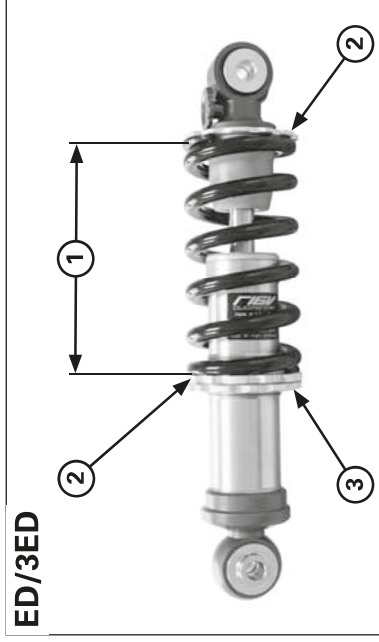
Press a new spherical bearing into the shock absorber pivot until its seats using same tool.
 Install the new stop ring into the groove (2ED/4ED).
 Apply grease to the dust seal lips.
 Install the dust seals and collars.



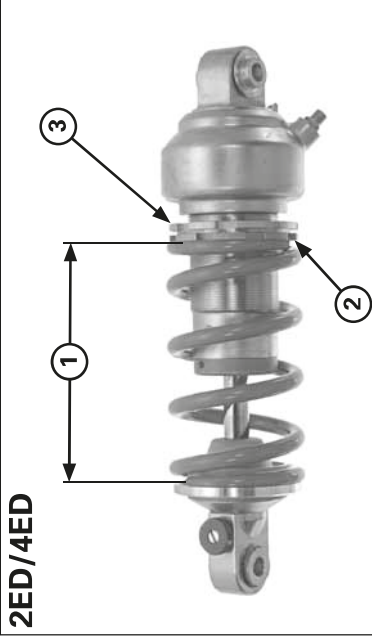
- (1) SPRING
- (2) SPRING SEAT
- (3) STOPPER RING
- (4) COMPRESSOR

Assembly

Assembly is in the reverse order of disassembly.



2ED/4ED



- (1) PRE-LOAD LENGTH
- (2) ADJUSTER
- (3) LOCK NUT

Adjust the spring pre-load length (page 2-5).
 Hold the spring adjuster and tighten the lock nut to the specified torque.

Torque:
 (2ED/4ED): 49 N·m (5.0 kgf·m, 36 lbf·ft)
 (ED/3ED): Tightening angle 50° ±10 after contact between nuts