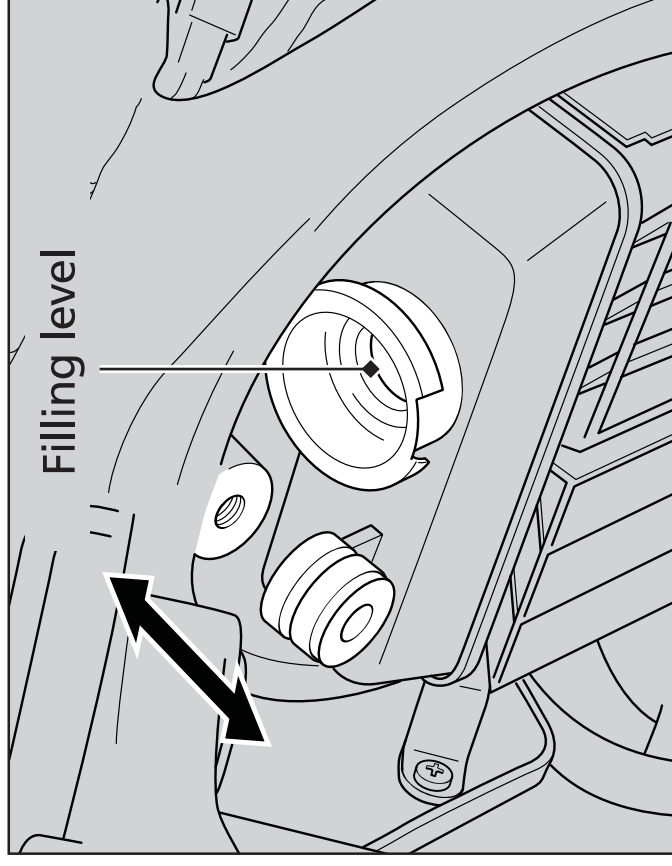


Checking the coolant

Always make sure that the engine and the radiator have cooled before checking the coolant level.

1. Position the motorcycle on a firm, level surface.
2. Remove the upper radiator mounting bolt.
3. Move the upper part of the radiator forward and remove the radiator cap.
4. Check that the coolant level reaches the neck of the filler hole.



If the coolant level drops noticeably, it is likely that there is a serious leak. Have your dealer inspect the motorcycle.