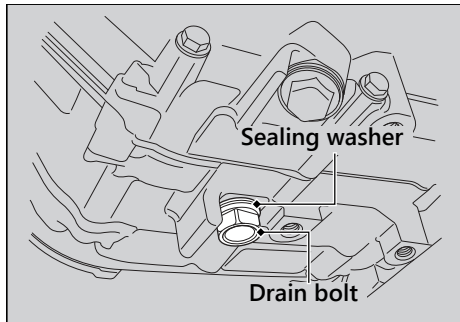


4. Place a drain pan under the drain bolt.
5. Remove the oil fill cap/dipstick, drain bolt and sealing washer to drain the oil.
 - Discard the oil at an approved recycling center.



6. Install a new sealing washer onto the drain bolt. Tighten the drain bolt.

Torque: 18 lbf·ft (24 N·m, 2.4 kgf·m)

7. Fill the crankcase with the recommended oil (► P. 47, ► P. 115) and install the oil fill cap/dipstick.

Required oil
When changing oil:
1.0 US qt (0.9 L)

8. Check the oil level. ► P. 59
9. Check that there are no oil leaks.