

# Side Nets

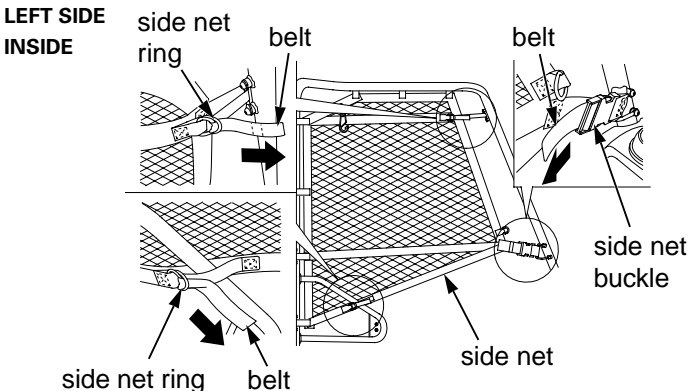
Your Honda MUV is equipped with side nets to prevent branches, gravel, or other debris from getting inside the driver's compartment, and to keep the driver's and passenger's hands and arms inside the occupant protective structure (OPS) if the vehicle ever tips or overturns.

The side nets are secured to the OPS with fastening side net rings and side net buckles, as shown below. To function properly, the side nets should be tight. If a side net is loose, tighten the belts on the fastening side net buckles and side net rings as necessary.

The left and right side nets can be set up in the same manner.

## Set up

1. Tighten the belt on the side net buckle.
2. Tighten the belt on the upper side net ring.
3. Tighten the belt on the lower side net ring.
4. Make sure the side nets are set up properly.



Be sure the side nets are properly latched before driving your Honda MUV, and never remove a side net.

If a side net is damaged or does not close securely, see your Honda dealer for repair or replacement.